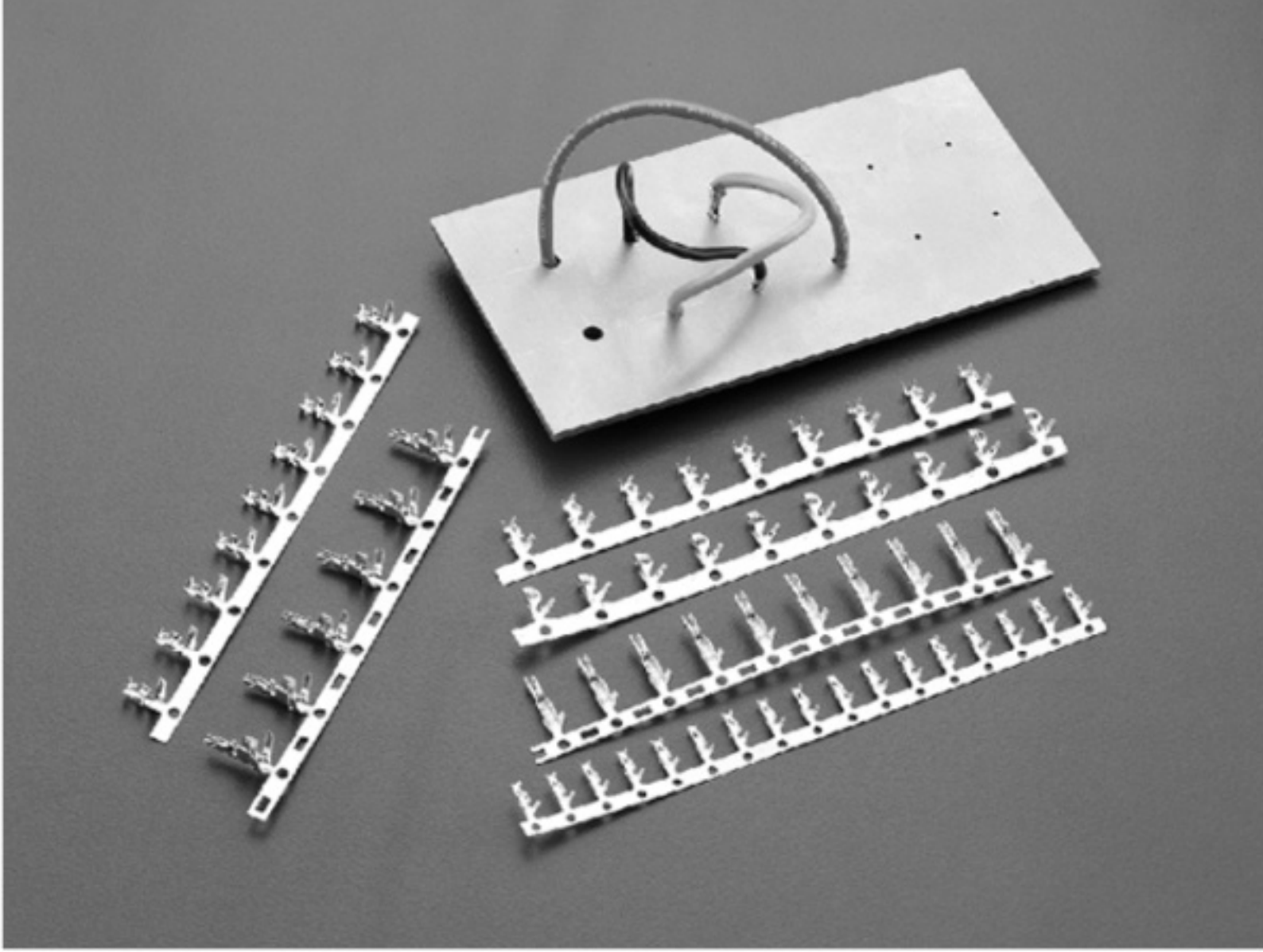


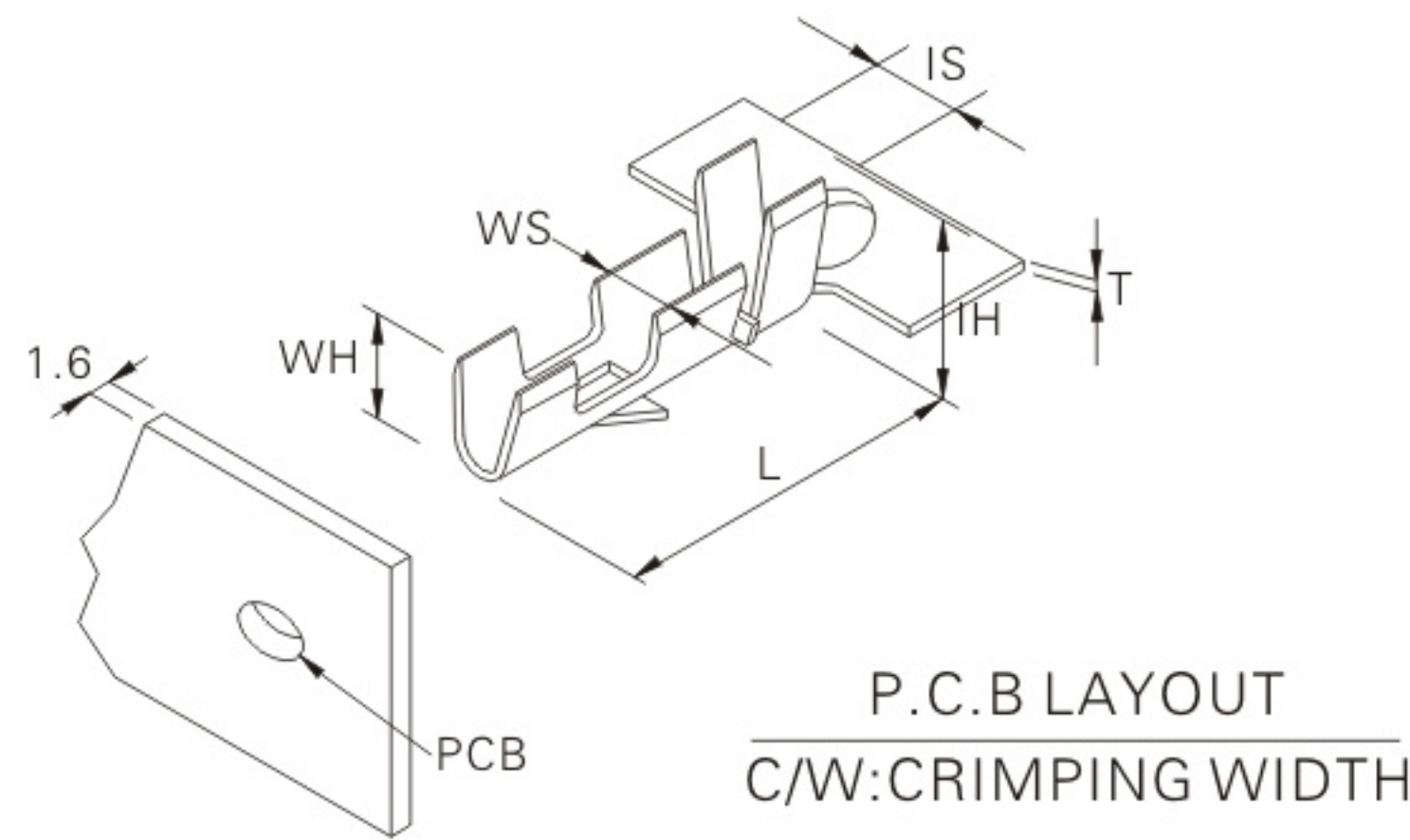
DIP TYPE(基板端) SERIES



Specifications

Current rating: 3A AC,DC
 Voltage rating: 250V AC,DC
 P.C.B. dard dip in terminal

D10、D121

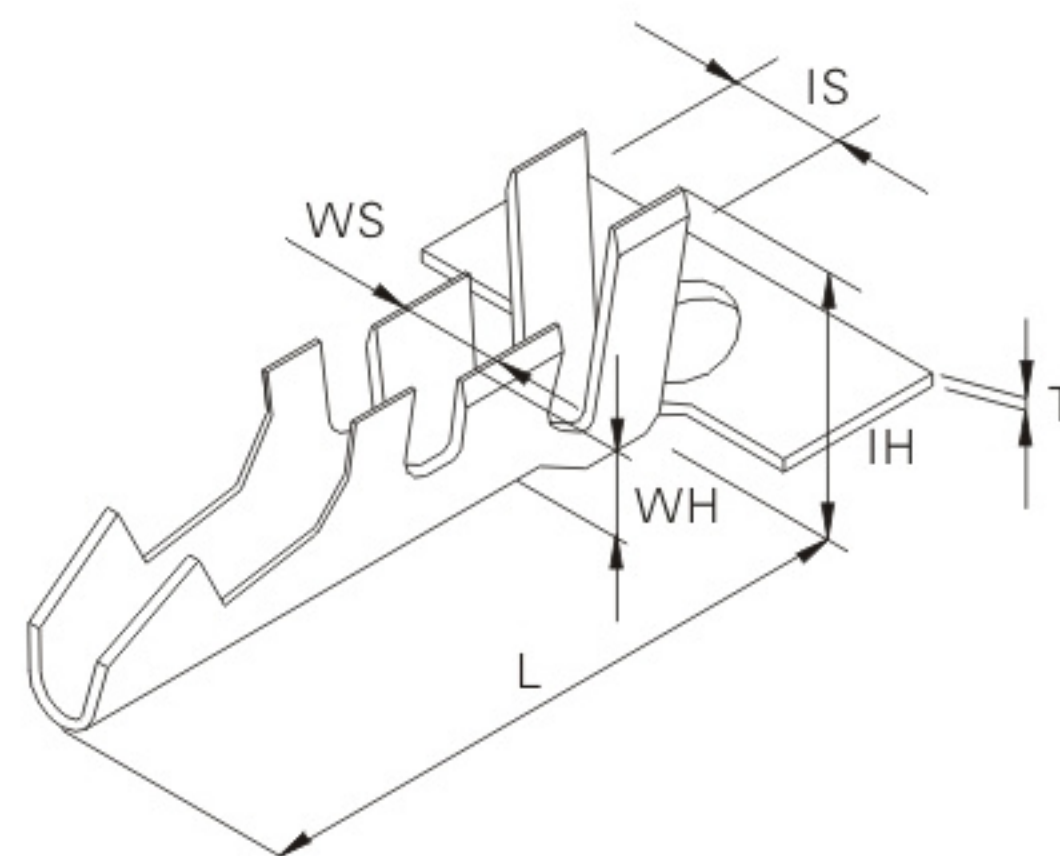


Ordering Information & Specifications

Unit: mm

| Part No. | Wire Range | T | L | WS | WH | IS | IH | P.C.B(Φ) | C/W | P.C.B(T) | Material | Finish | Qty/reel |
|----------|------------|------|-----|-----|-----|-----|-----|----------|-----|----------|-----------------|------------|----------|
| D10P-2 | AWG#24-28 | 0.15 | 5.8 | 1.5 | 1.3 | 2.5 | 2.4 | Φ1.0 | 0.8 | 1.2-1.6 | Phosphor bronze | Tin-plated | 13,000 |
| D121T-2 | AWG#24-28 | 0.2 | 6.8 | 1.2 | 1.4 | 2.4 | 2.0 | Φ1.2 | 1.0 | | Brass | | 10,000 |

D122



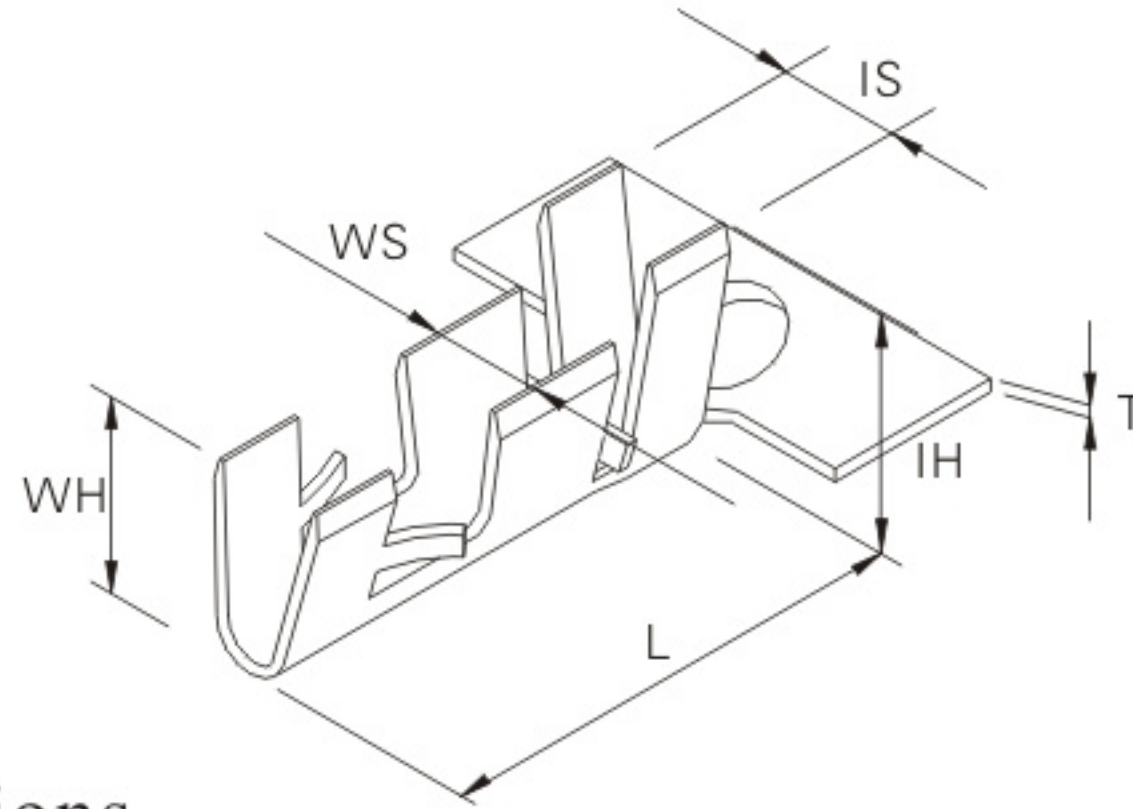
Ordering Information & Specifications

Unit: mm

| Part No. | Wire Range | T | L | WS | WH | IS | IH | P.C.B(Φ) | C/W | P.C.B(T) | Material | Finish | Qty/reel |
|----------|------------|------|------|-----|------|------|------|----------|------|----------|----------|------------|----------|
| D122T-2 | AWG#18-22 | 0.25 | 9.05 | 1.7 | 2.25 | 3.65 | 3.25 | 1.2 | 1.55 | 1.2 | Brass | Tin-plated | 7,000 |

DIP TYPE(基板端) SERIES

D141、D161、D1831、D262

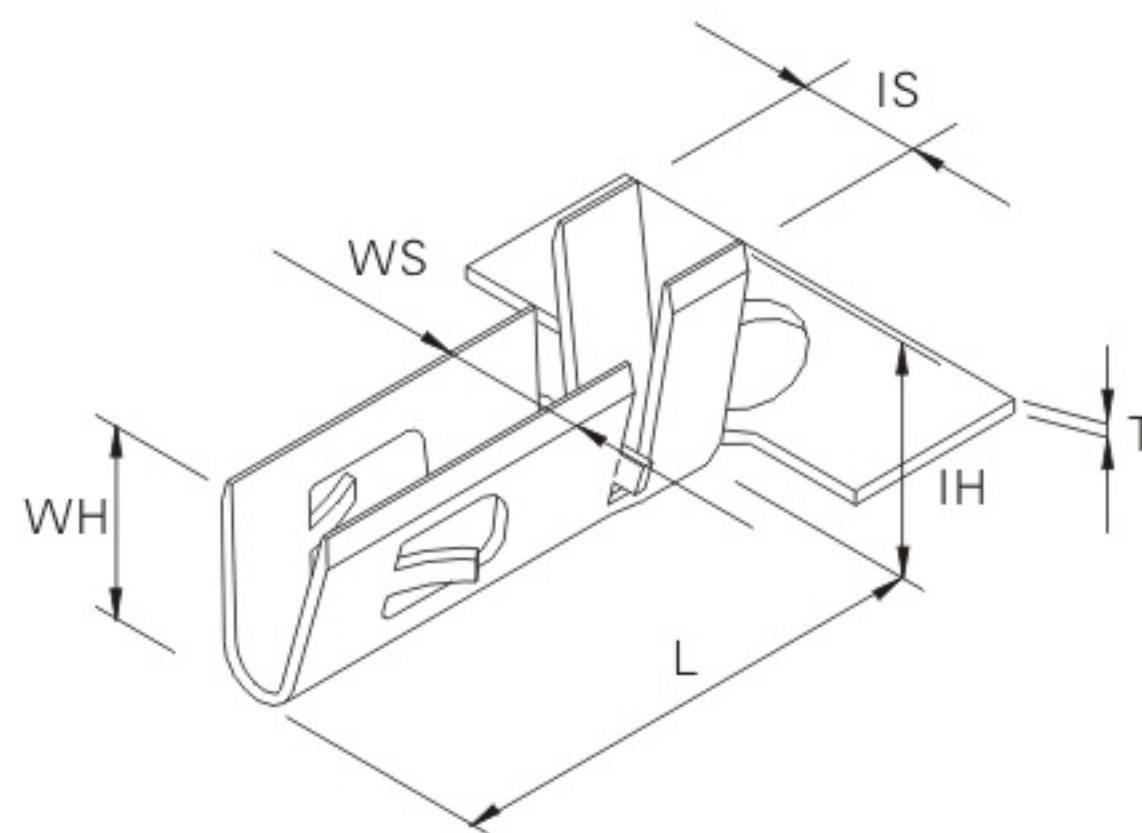


Ordering Information & Specifications

Unit: mm

| Part No. | Wire Range | T | L | WS | WH | IS | IH | P.C.B(Φ) | C/W | P.C.B(T) | Material | Finish | Qty/reel |
|--------------------|------------|-----|-----|-----|-----|-----|-----|----------|------|----------|-----------------------|------------|----------|
| D141P-2 | AWG#24-26 | 0.2 | 5.8 | 1.6 | 1.9 | 2.5 | 2.9 | Φ1.4 | 1.2 | 1.6 | Phosphor Bronze | Tin-plated | 10,000 |
| D161T-2 D161P-2 | AWG#22-26 | 0.2 | 5.8 | 2.0 | 1.8 | 3.3 | 2.5 | Φ1.6 | 1.4 | 1.6 | Brass phosphor Bronze | Tin-plated | 12,000 |
| D1831P-2 | AWG#24-18 | 0.2 | 6.0 | 2.3 | 2.3 | 3.8 | 3.4 | Φ1.8 | 1.55 | 1.2-1.6 | phosphor Bronze | Tin-plated | 7,000 |
| D262T-2 D262P-2 | AWG#18-26 | 0.2 | 6.1 | 2.6 | 3.0 | 4.7 | 5.0 | Φ2.6 | 2.2 | 1.6 | Brass phosphor Bronze | | 3,000 |

D161A、D1831A、D262A

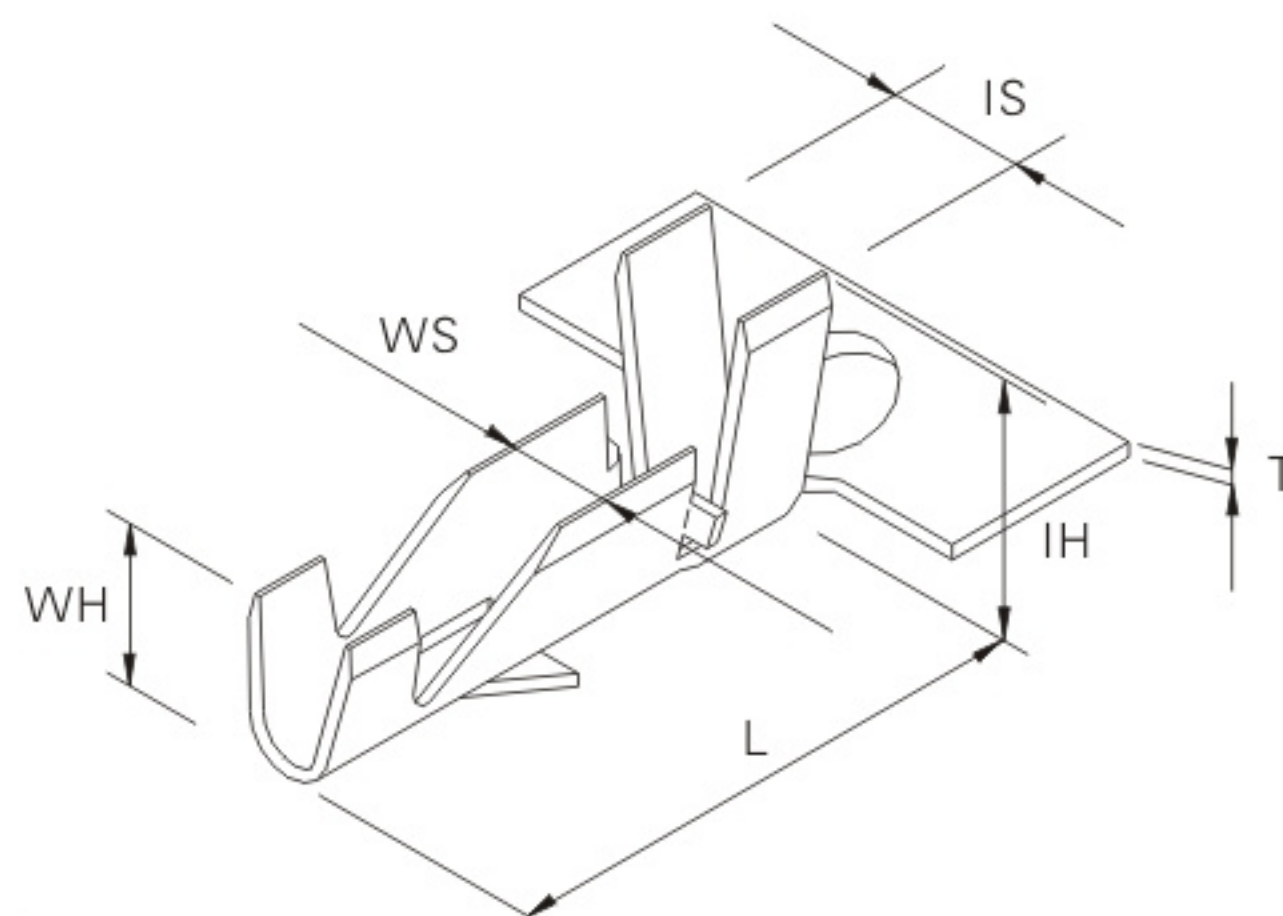


Ordering Information & Specifications

Unit: mm

| Part No. | Wire Range | T | L | WS | WH | IS | IH | P.C.B(Φ) | C/W | P.C.B(T) | Material | Finish | Qty/reel |
|----------------------|------------|-----|-----|-----|-----|-----|-----|----------|------|----------|----------------|------------|----------|
| D161AT-2 | AWG#22-26 | 0.2 | 5.8 | 2.0 | 1.8 | 3.3 | 2.5 | Φ1.6 | 1.4 | 1.6 | Brass | | 12,000 |
| D1831A-P | AWG#18-24 | 0.2 | 6.0 | 2.3 | 2.3 | 3.8 | 3.4 | Φ1.8 | 1.55 | 1.2-1.6 | Phosphor | Tin-plated | 7,000 |
| D262AT-2 D262AP-2 | AWG#18-2C | 0.2 | 6.1 | 2.6 | 3.0 | 4.7 | 5.0 | Φ2.6 | 2.2 | 1.6 | Brass Phosphor | | 3,000 |

D182(低)、D185(高)



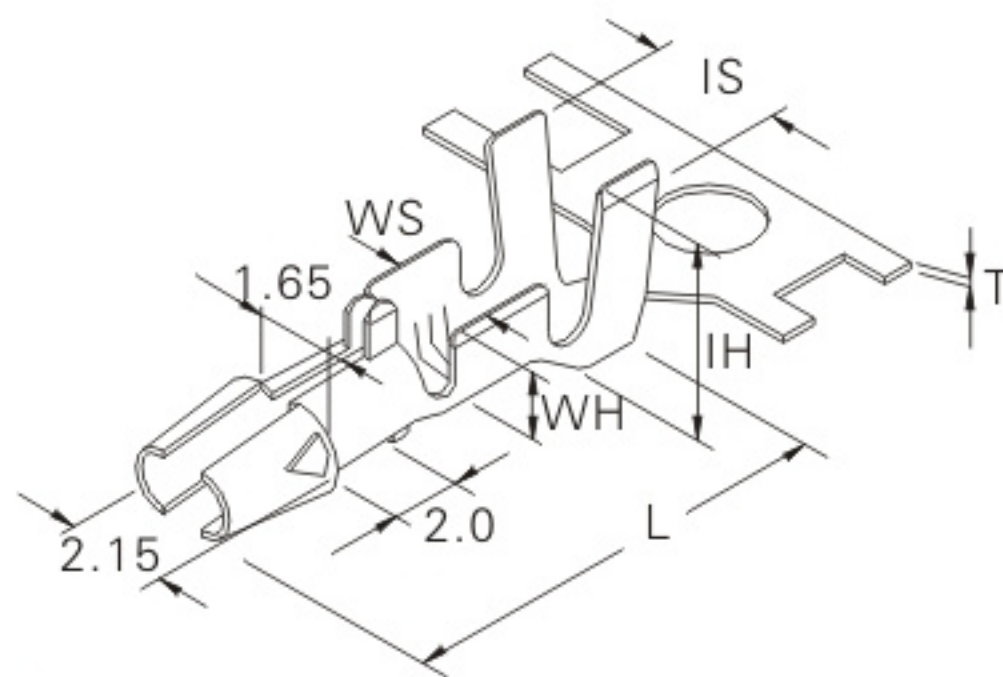
Ordering Information & Specifications

Unit: mm

| Part No. | Wire Range | T | L | WS | WH | IS | IH | P.C.B(Φ) | C/W | P.C.B(T) | Material | Finish | Qty/reel |
|------------|------------|-----|------|-----|-----|-----|-----|----------|------|----------|----------|------------|----------|
| D182(低)T-2 | AWG#18-22 | 0.2 | 7.0 | 1.9 | 1.9 | 4.0 | 4.2 | Φ1.8 | 1.55 | 2.0-2.2 | Brass | Tin-plated | 5,000 |
| D185(高)T-2 | AWG#18-16 | 0.2 | 6.85 | 3.1 | 2.6 | 5.6 | 4.7 | Φ1.8 | 1.55 | | | | 3,000 |

DIP TYPE(基板端) SERIES

D180、D181、D186

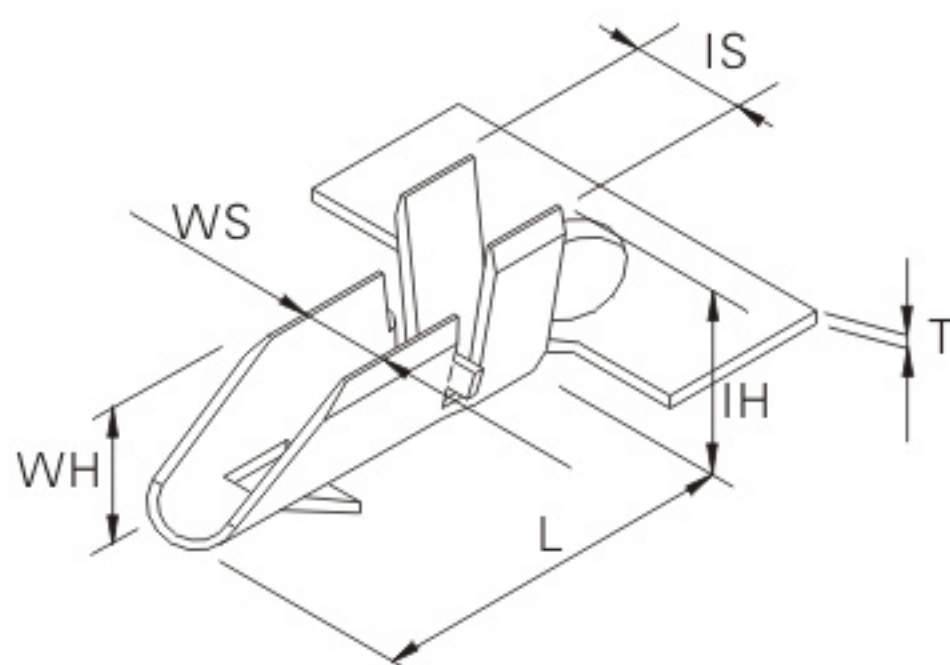


Ordering Information & Specifications

Unit: mm

| Part No. | Wire Range | T | L | WS | WH | IS | IH | P.C.B(Φ) | C/W | P.C.B(T) | Material | Finish | Qty/reel |
|----------|------------|------|------|-----|------|-----|-----|----------|------|----------|----------|------------|----------|
| D180T-2 | AWG#20-26 | 0.25 | 10.4 | 2.0 | 1.9 | 3.4 | 3.3 | Φ1.8 | 1.55 | 1.2-1.6 | Brass | Tin-plated | 7,000 |
| D181T-2 | AWG#18-22 | 0.25 | 10.4 | 2.2 | 2.3 | 3.6 | 3.8 | Φ1.8 | 1.55 | | | | 6,000 |
| D186T-2 | AWG#14-18 | 0.25 | 10.4 | 2.7 | 3.65 | 5.0 | 5.3 | Φ1.8 | 1.55 | | | | 3,500 |

D184

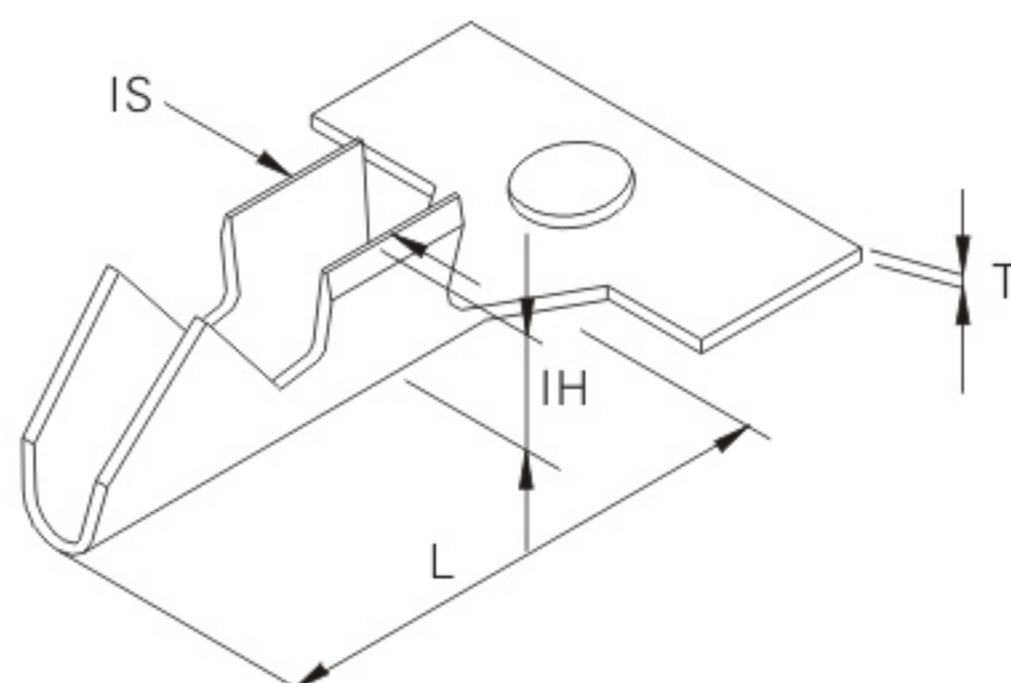


Ordering Information & Specifications

Unit: mm

| Part No. | Wire Range | T | L | WS | WH | IS | IH | P.C.B(Φ) | C/W | P.C.B(T) | Material | Finish | Qty/reel |
|----------|------------|------|------|-----|-----|-----|-----|----------|------|----------|-----------------|------------|----------|
| D184T-2 | AWG#18-22 | 0.20 | 5.90 | 2.1 | 2.3 | 4.0 | 4.0 | 1.8 | 1.55 | 1.2-1.6 | Brass | Tin-plated | 5,000 |
| D184P-2 | | | | | | | | | | | Phosphor bronze | | |

1133

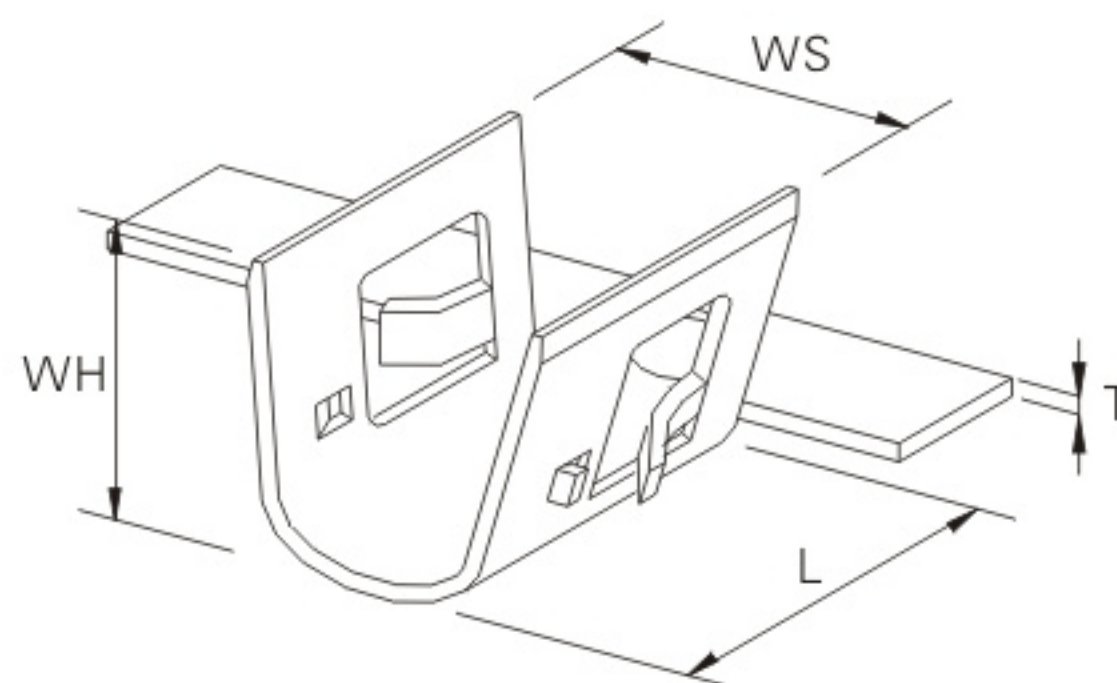


Ordering Information & Specifications

Unit: mm

| Part No. | Wire Range | T | L | IS | IH | P.C.B(Φ) | C/W | P.C.B(T) | Material | Finish | Qty/reel |
|----------|------------|-----|-----|-----|------|----------|------|----------|----------|------------|----------|
| 1133T-2 | AWG#20-22 | 0.2 | 4.2 | 1.5 | 1.10 | 1.8 | 1.55 | 1.2-1.6 | Brass | Tin-plated | 20,000 |

D32



Ordering Information & Specifications

Unit: mm

| Part No. | Wire Range | T | L | WS | WH | P.C.B(Φ) | C/W | P.C.B(T) | Material | Finish | Qty/reel |
|----------|--------------|-----|-----|-----|-----|----------|-----|----------|----------|------------|----------|
| D32-P | AWG#18 2C-6C | 0.2 | 5.5 | 5.6 | 4.4 | 3.2 | 2.5 | 1.6 | Phosphor | Tin-plated | 4,000 |