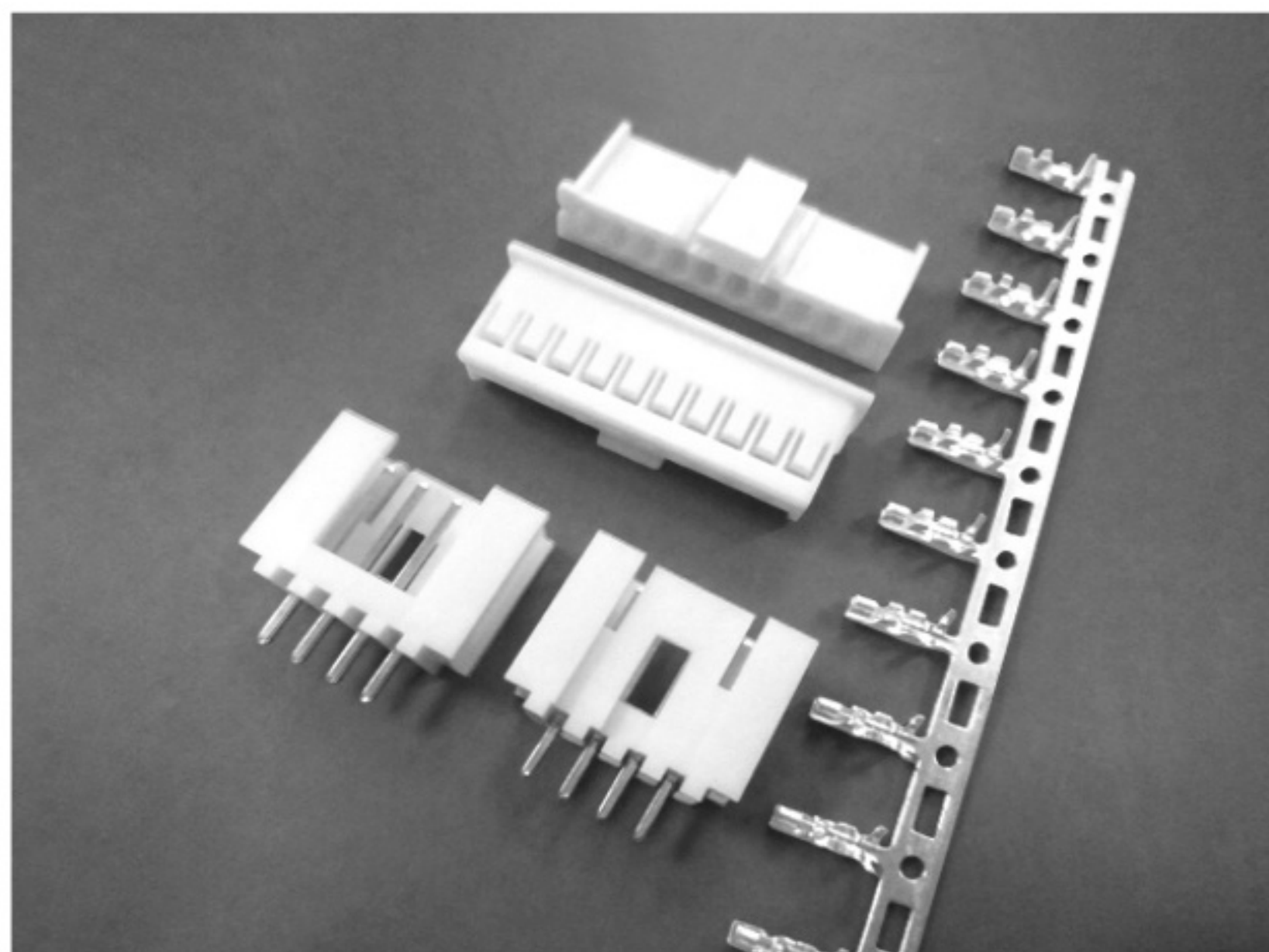


2508 SERIES

2.50mm PITCH WIRE TO BOARD CONNECTOR



Specifications

Current Rating: 3A AC,DC

Voltage Rating: 250V AC,DC

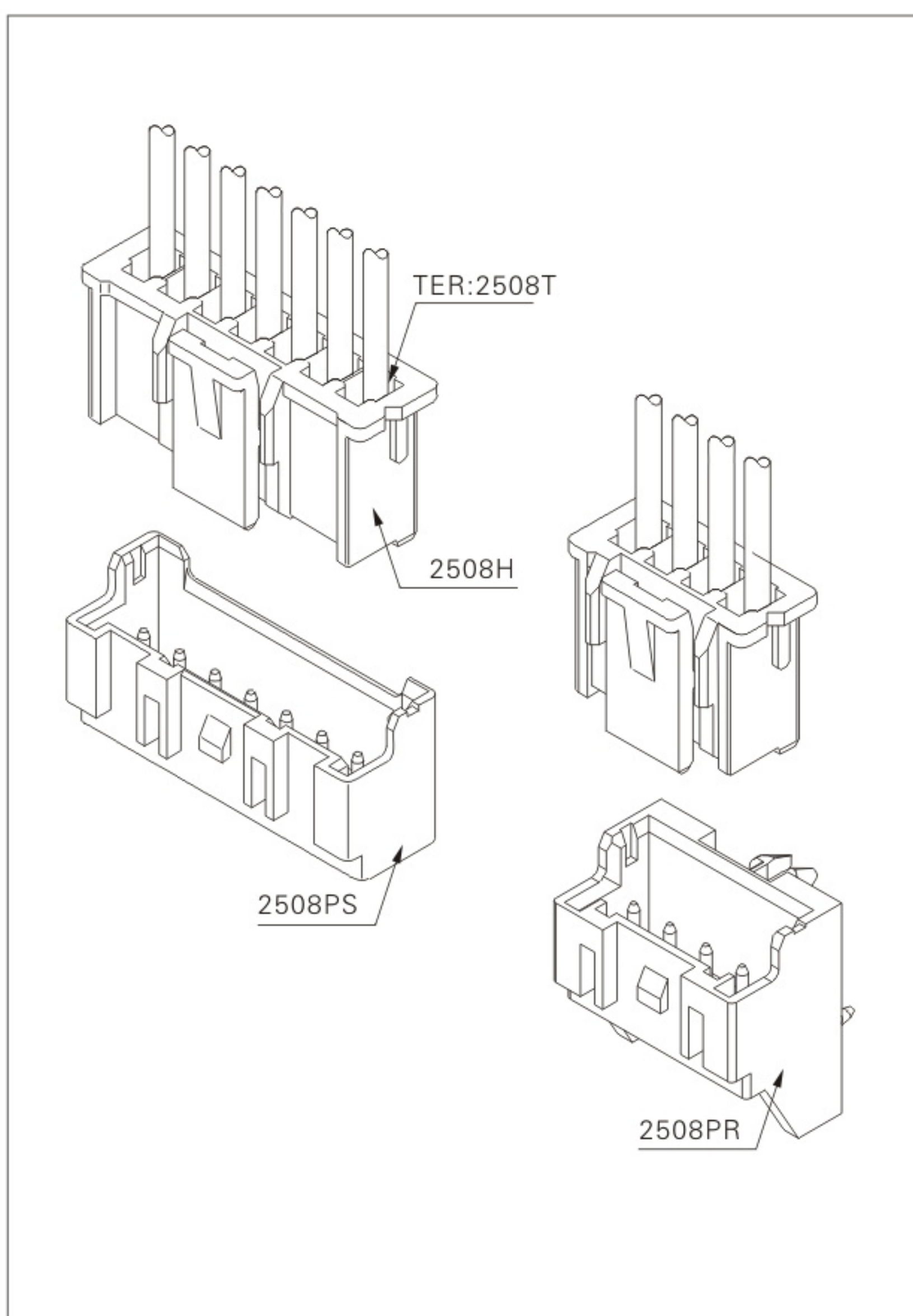
Temperature Range: -25°C~+85°C

Contact Resistance: 10mΩ Max.

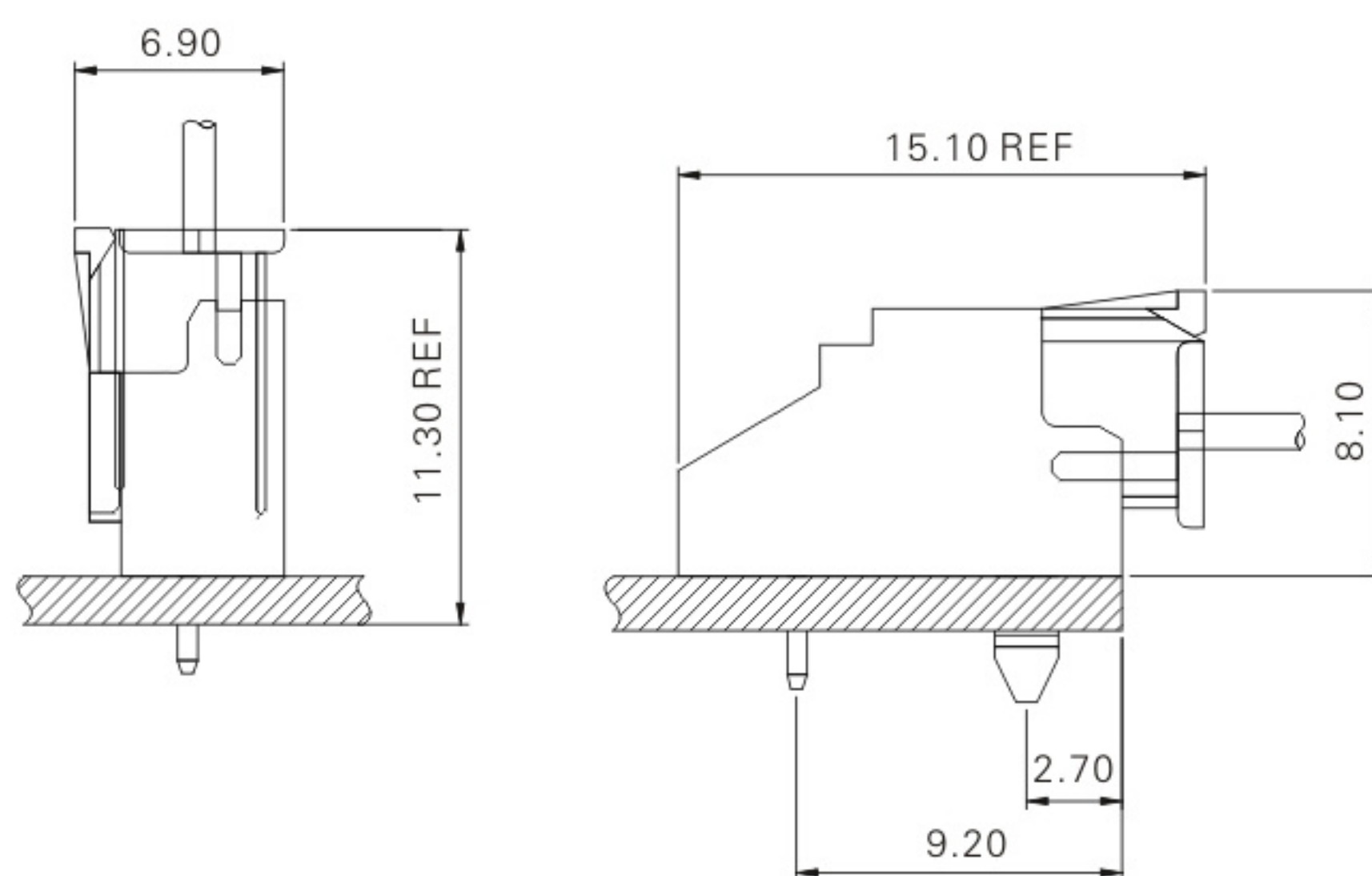
Insulation Resistance: 1000MΩ Min.

Withstanding Voltage: 1000V AC/minute

Applicable wire: AWG#20-#28



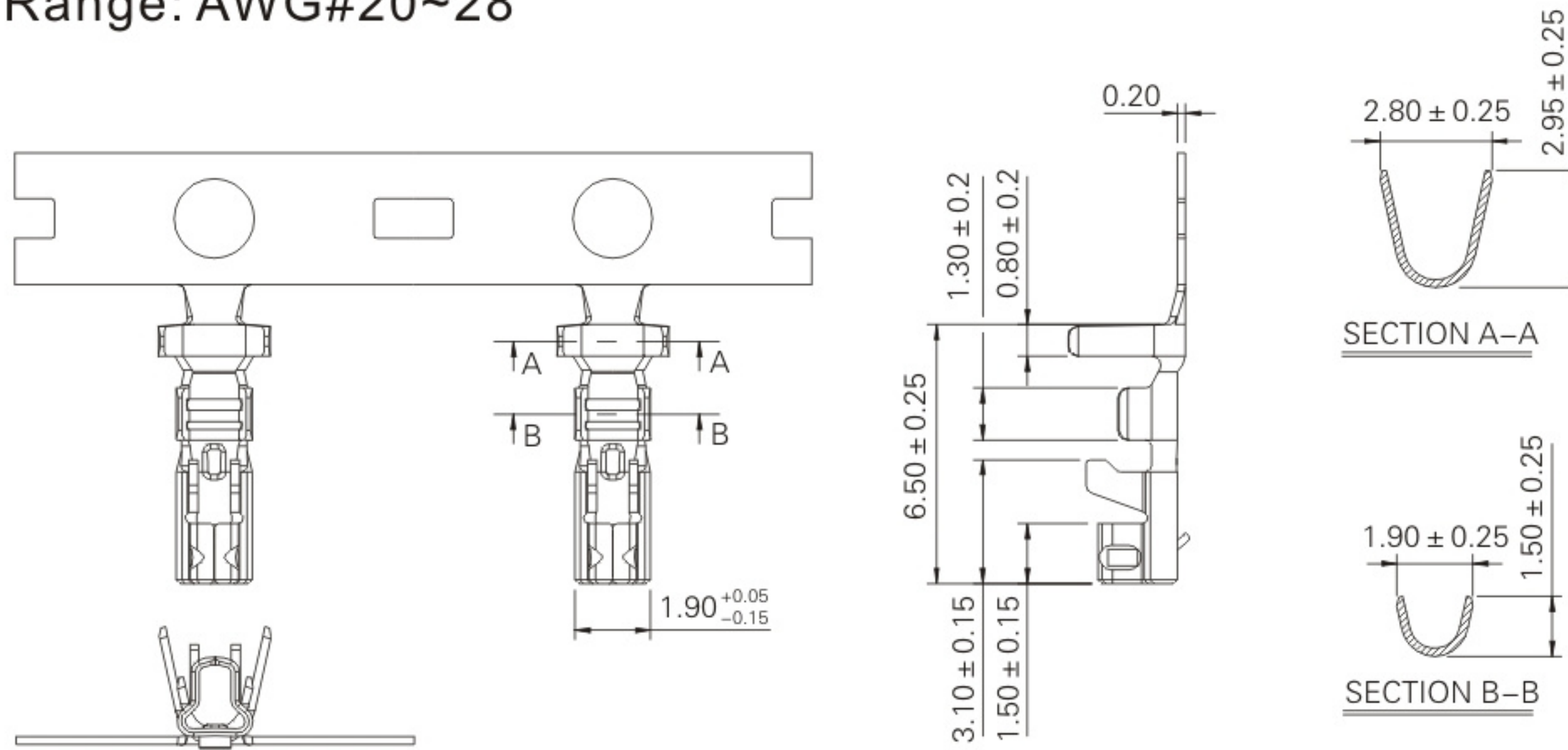
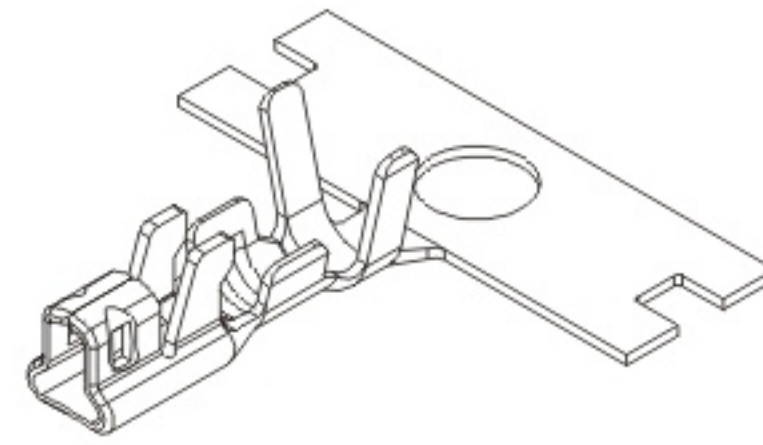
Assembly layout



2508-T (2.50mm pitch crimp terminal)

Reference Informations:

- *Thickness: 0.2mm
- *Mat'l: Body: Phosphor Bronze Tin Plated
- *Current Rating: 3AAC DC
- *Voltage Rating: 250V AC DC
- *Mates With: 2508H series Housing
- *Applicable Wire Range: AWG#20~28



Ordering Information & Specifications

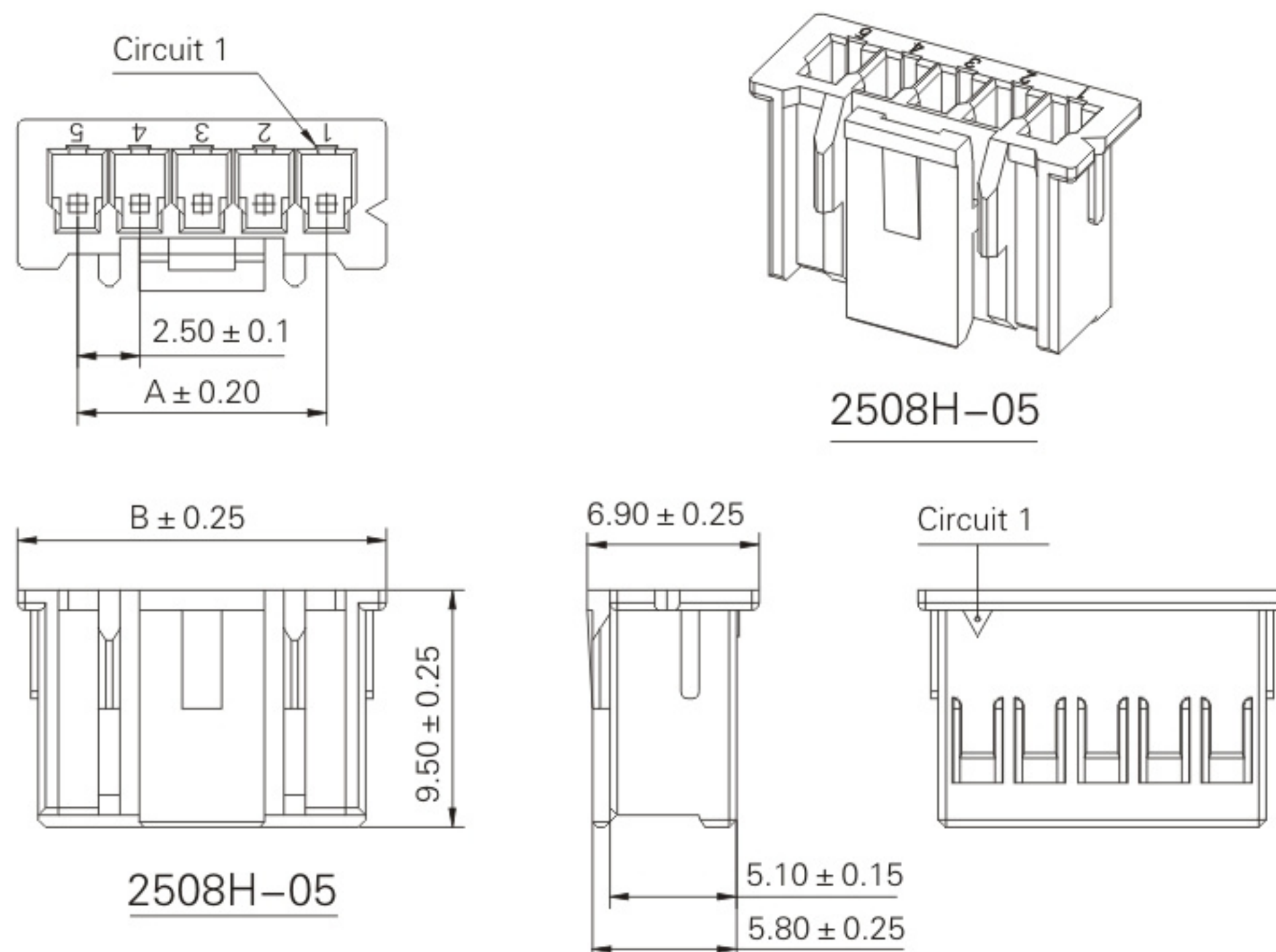
Unit: mm

Part No.	Wire Range	Insulation O.D.	Material	Finish	Qty/reel
2508P	AWG#20-#28	1.90 mm(max)	Phosphor Bronze	Tin-plated	10,000pcs

2508H-NP (2.50mm pitch crimp housing)

Reference Informations:

- *Mat'l: Body: Nylon 66 UL94V-0
- *Current Rating: 3AAC DC
- *Voltage Rating: 250V AC DC
- *Mates With: 2508-T series Terminal



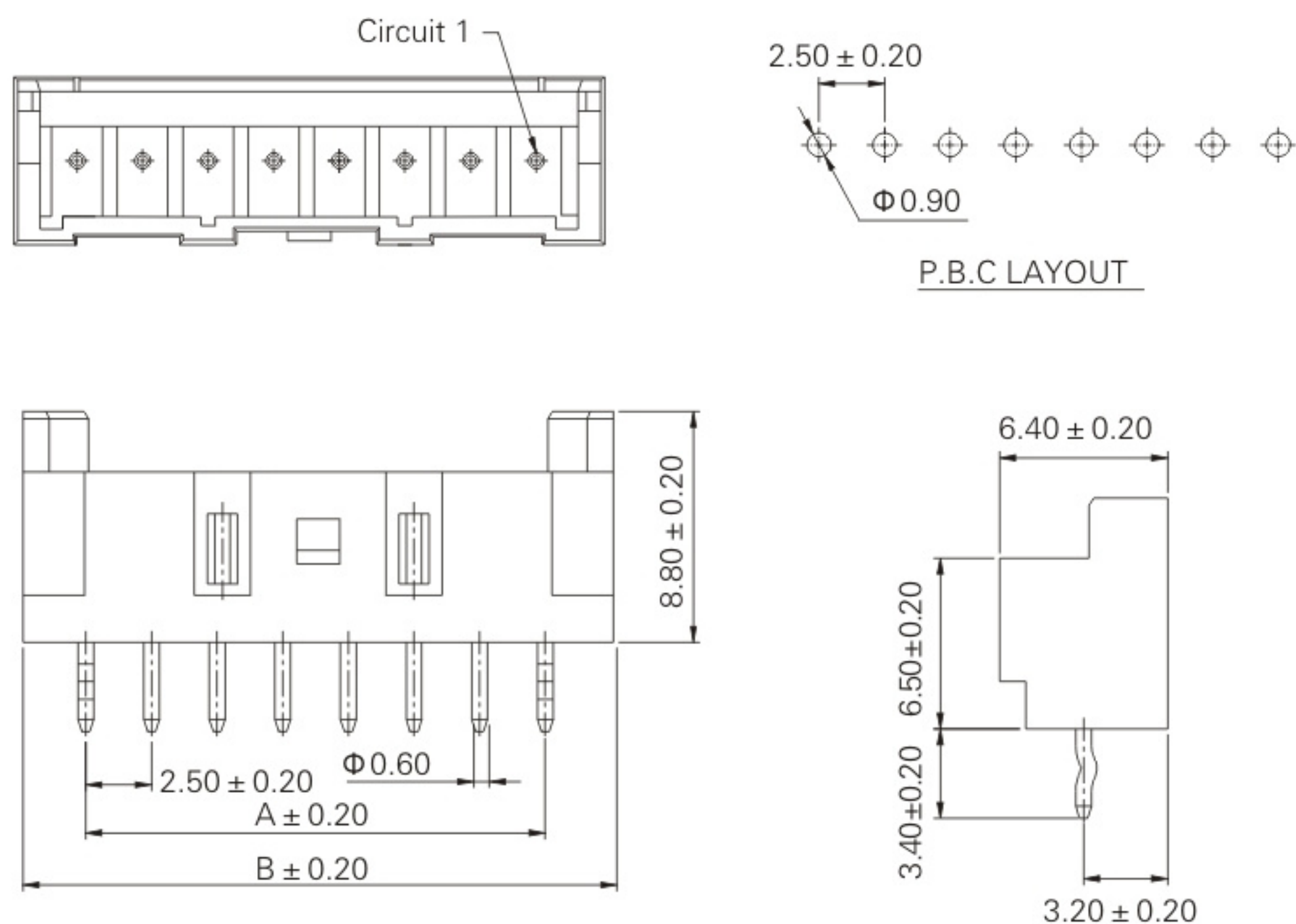
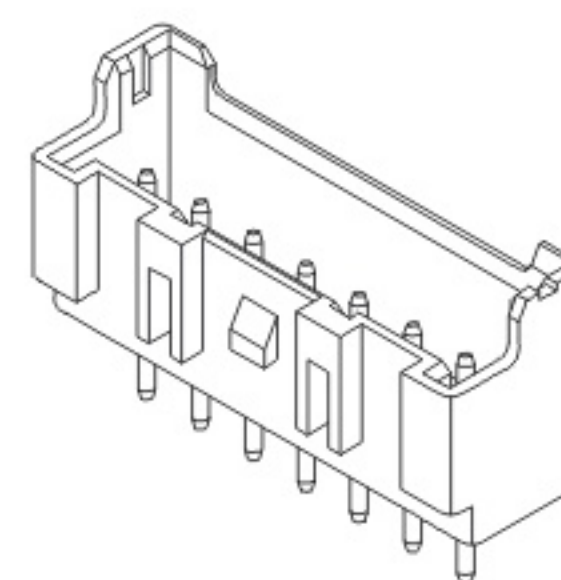
Ordering Information & Dimensions

Circuits	Part No.	DIM.(mm)	
		A	B
02	2508H-02P	2.50	7.3
03	2508H-03P	5.00	9.8
04	2508H-04P	7.50	12.3
05	2508H-05P	10.00	14.8
06	2508H-06P	12.50	17.3
07	2508H-07P	15.00	19.8
08	2508H-08P	17.50	22.3
09	2508H-09P	20.00	24.8
10	2508H-10P	22.50	27.3
11	2508H-11P	25.00	29.8
12	2508H-12P	27.50	32.3
13	2508H-13P	30.00	34.8
14	2508H-14P	32.50	37.3
15	2508H-15P	35.00	39.8
20	2508H-20P	47.50	52.30

2508PS-NP (2.50mm pitch 180° wafer)

Reference Informations:

- *Mat'l: Body: PA66 UL94V-0
Pins: Brass Tin Plated
- *Mates With: 2508H series Housing



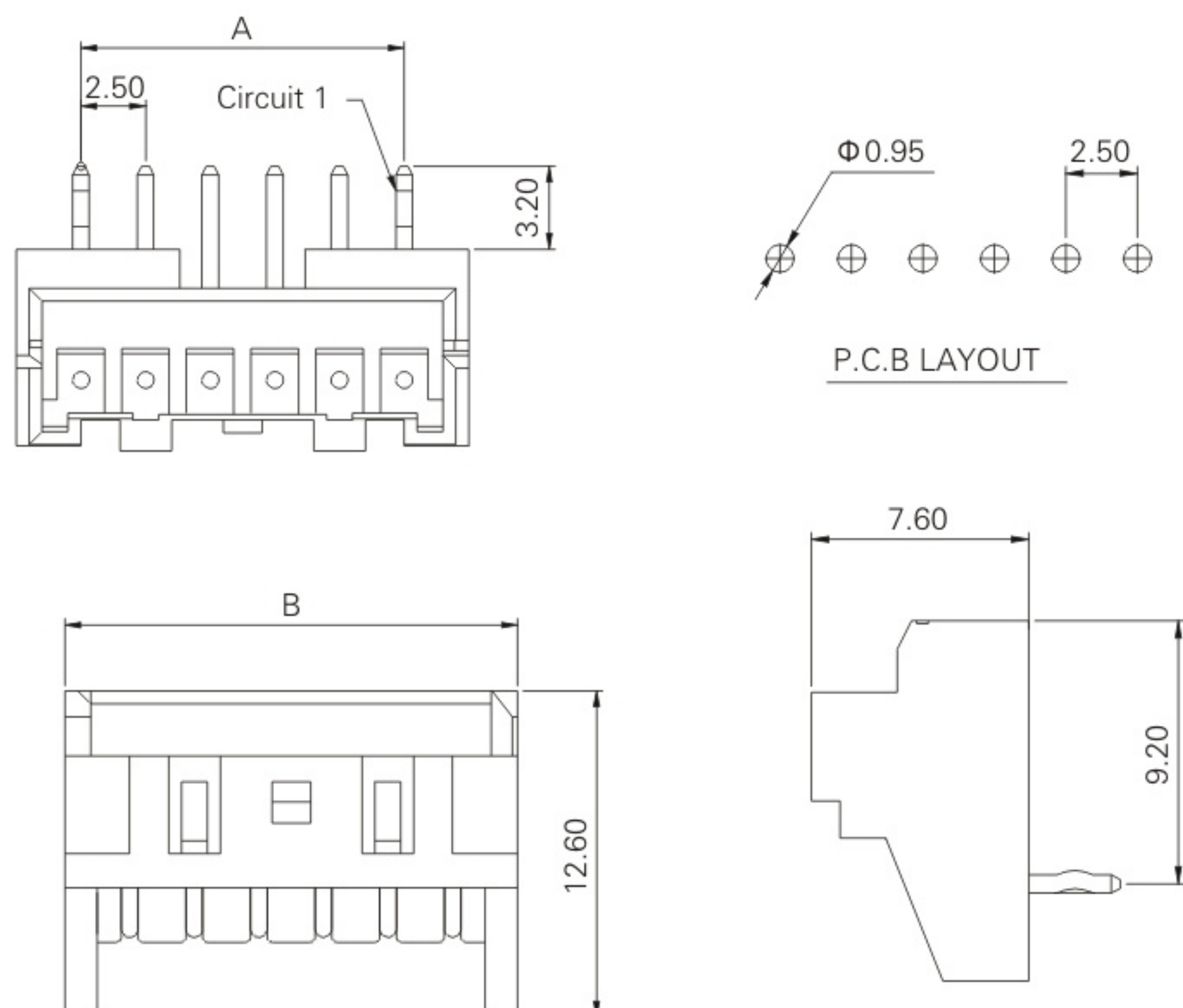
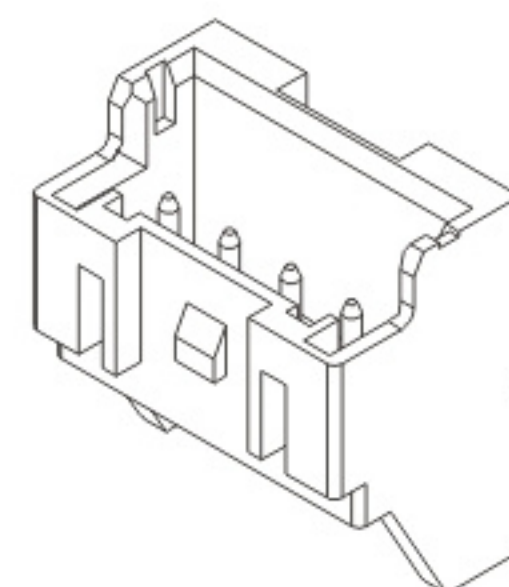
Ordering Information & Dimensions

Circuits	Part No.	DIM.(mm)	
		A	B
02	2508PS-02P	2.50	7.50
03	2508PS-03P	5.00	10.00
04	2508PS-04P	7.50	12.50
05	2508PS-05P	10.00	15.00
06	2508PS-06P	12.50	17.50
07	2508PS-07P	15.00	20.00
08	2508PS-08P	17.50	22.50
09	2508PS-09P	20.00	25.00
10	2508PS-10P	22.50	27.50
11	2508PS-11P	25.00	30.00
12	2508PS-12P	27.50	32.50
13	2508PS-10P	30.00	35.00
14	2508PS-11P	32.50	37.50
15	2508PS-12P	35.00	40.00

2508PR-NP (2.50mm pitch 90° wafer)

Reference Informations:

- *Mat'l: Body: PA66 UL94V-0
Pins: Brass Tin Plated
- *Mates With: 2508H series Housing



Ordering Information & Dimensions

Circuits	Part No.	DIM.(mm)	
		A	B
02	2508PR-02P	2.50	7.50
03	2508PR-03P	5.00	10.00
04	2508PR-04P	7.50	12.50
05	2508PR-05P	10.00	15.00
06	2508PR-06P	12.50	17.50
07	2508PR-07P	15.00	20.00
08	2508PR-08P	17.50	22.50
09	2508PR-09P	20.00	25.00
10	2508PR-10P	22.50	27.50
11	2508PR-11P	25.00	30.00
12	2508PR-12P	27.50	32.50
13	2508PR-10P	30.00	35.00
14	2508PR-11P	32.50	37.50
15	2508PR-12P	35.00	40.00