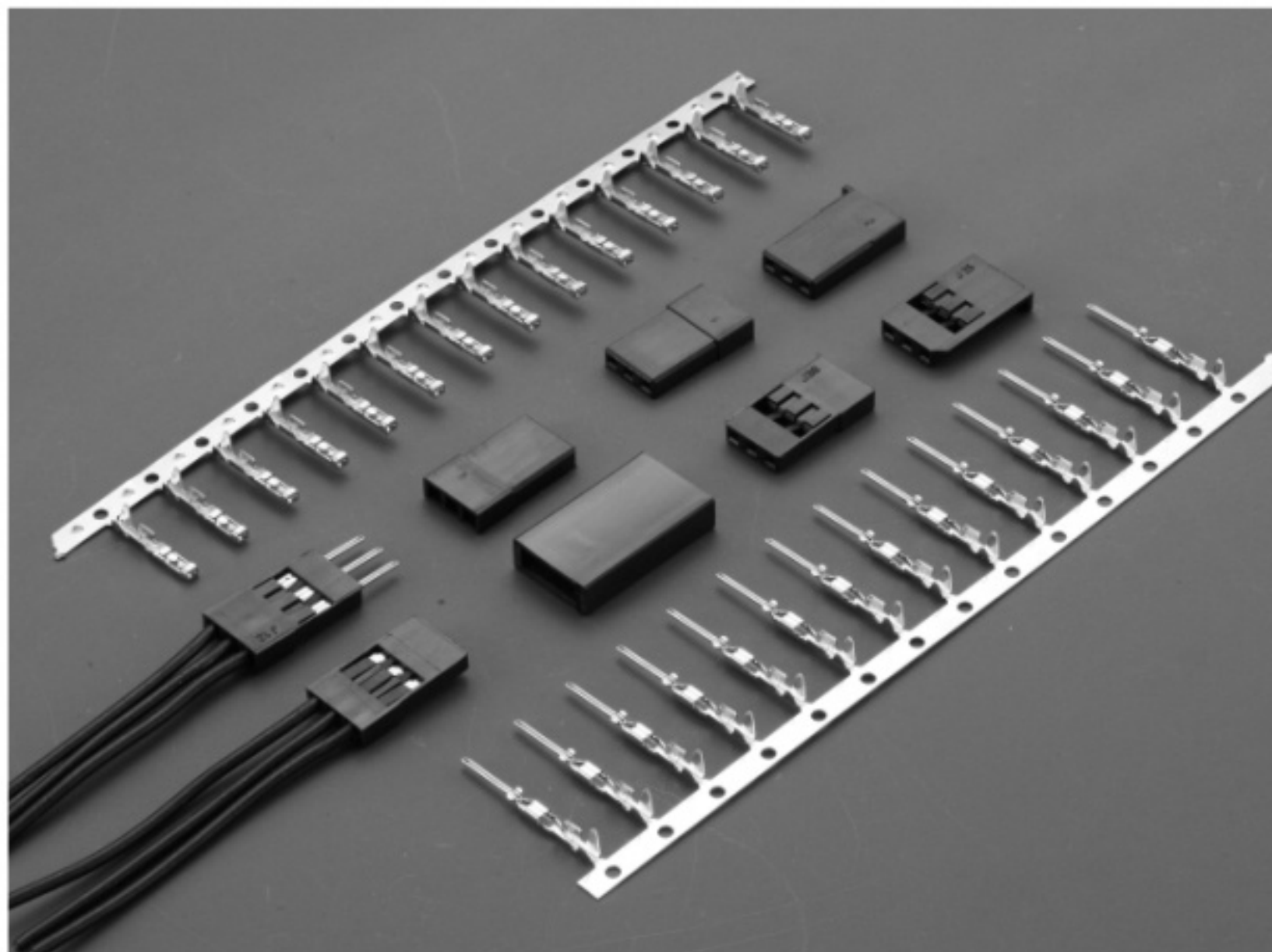


25408H/25408CH SERIES

2.54mm PITCH WIRE TO WIRE CONNECTOR



Specifications

Current rating: 3A AC,DC

Voltage rating: 250V AC,DC

Temperature range: -25°C to +85°C
(including temperature rise)

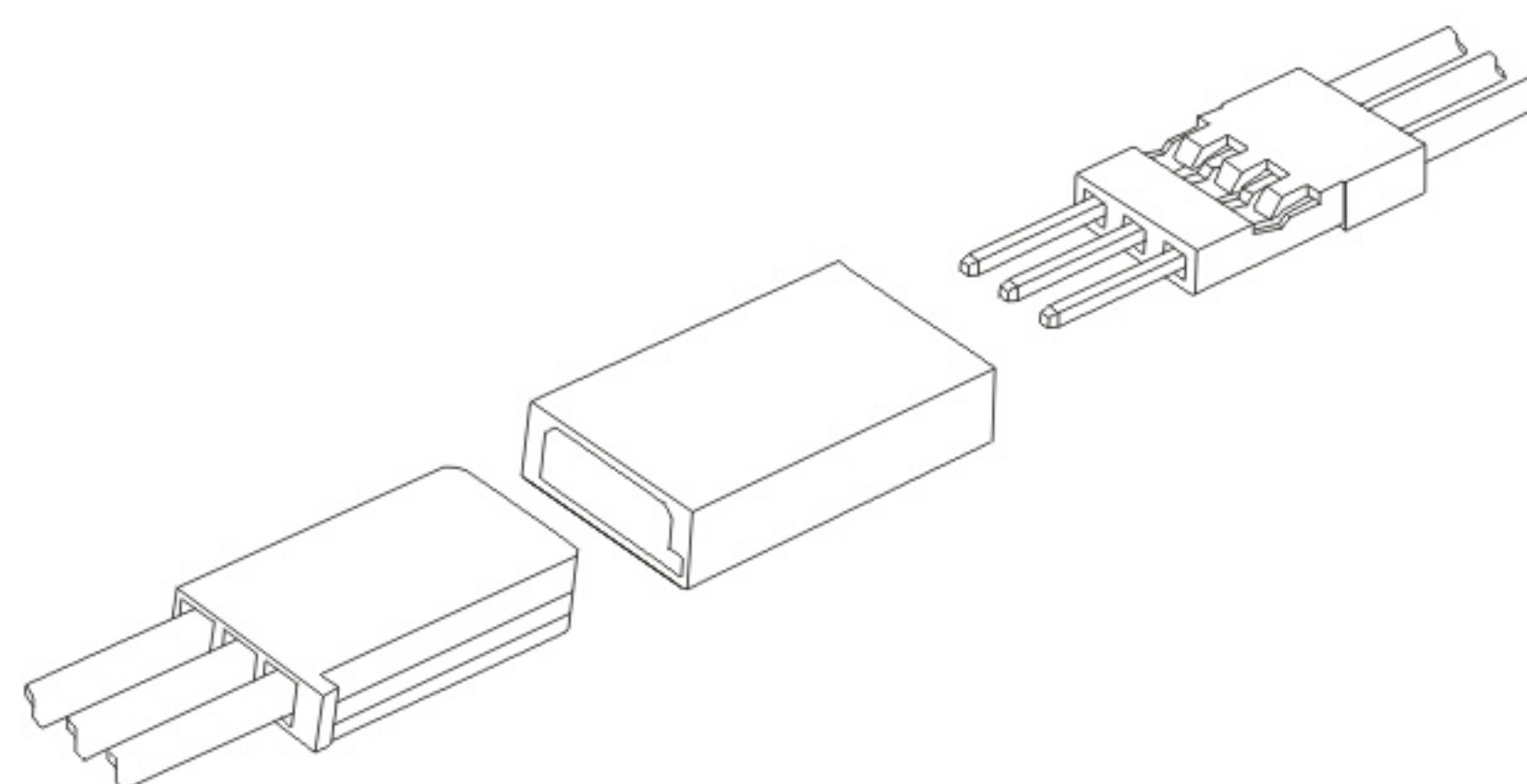
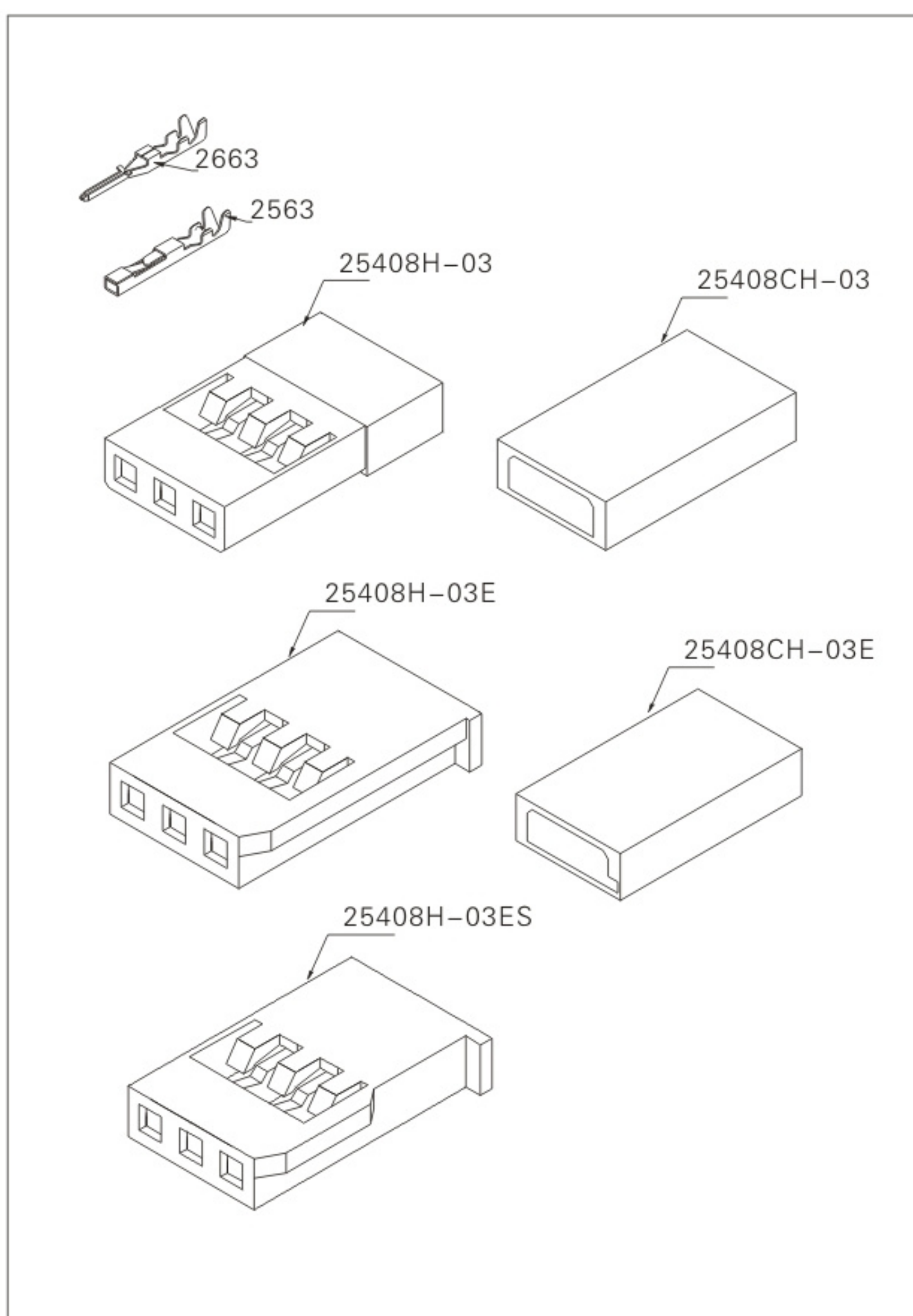
Contact resistance: Initial value/ 10m Ω Max.
After environmental testing/20m Ω Max.

Insulation resistance: 1000M Ω Min.

Withstanding voltage: 1500 V AC/minute

Applicable wire: 2563T AWG#24-#28
2663T AWG#24-#26

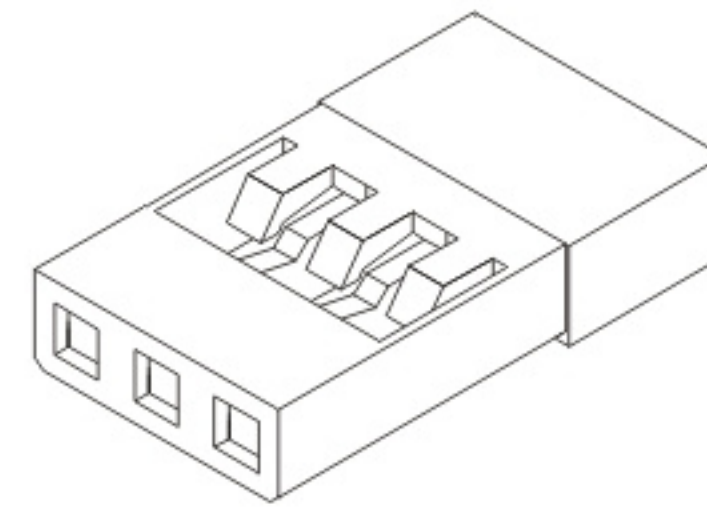
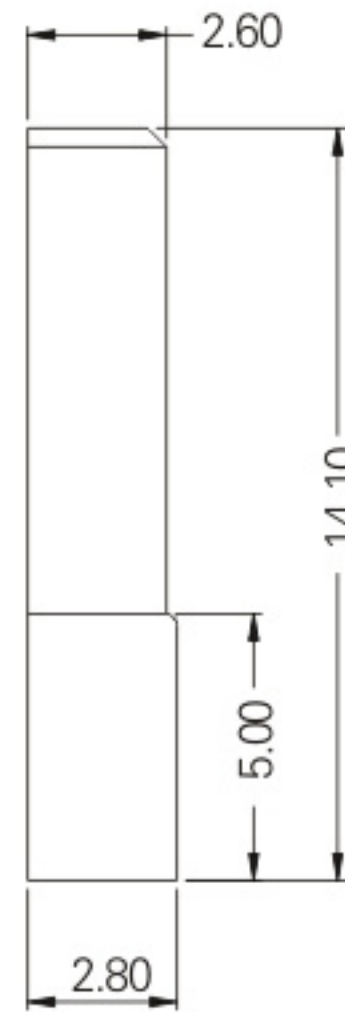
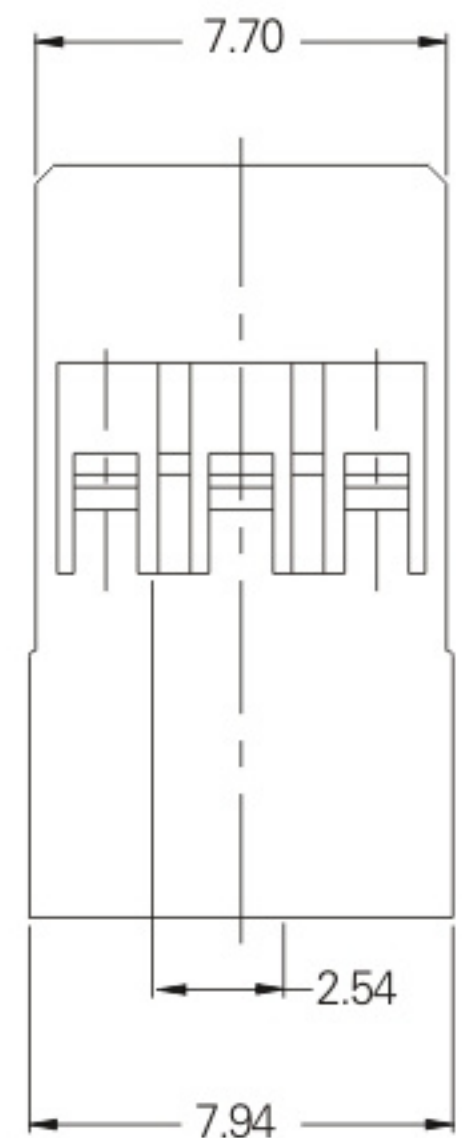
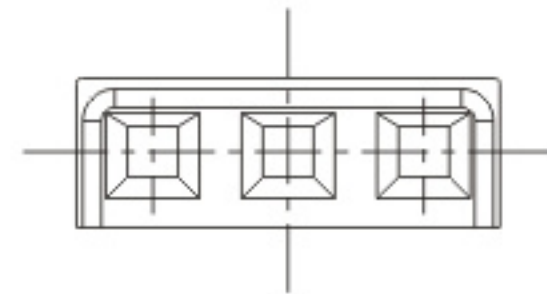
Assembly layout



25408H-03

2.54mm PITCH WIRE TO WIRE CONNECTOR

- *Current rating:3A AC,DC
- *Voltage rating:250V AC,DC
- *Withstanding Voltage:1500V AC/minute
- *Insulation resistance:1,000M Ω min
- *Temperature range: -25° $\sim +85^{\circ}$
- *Contact resistance:Initial value/10m Ω max,after environmental testg
- *Material:PA66/PBT
- *Qty:1000pcs/bag

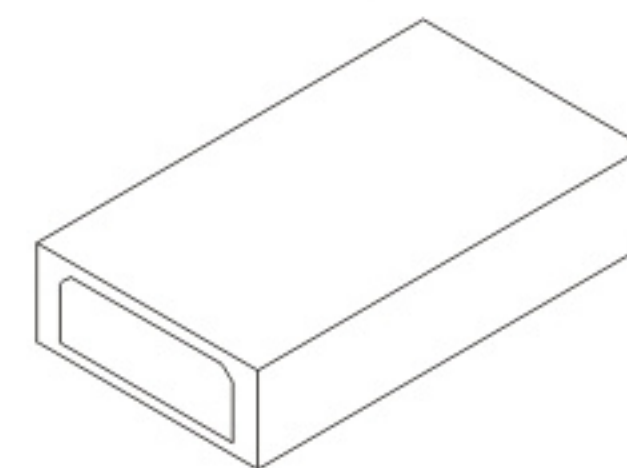
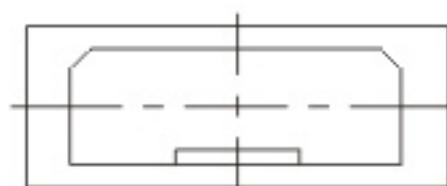
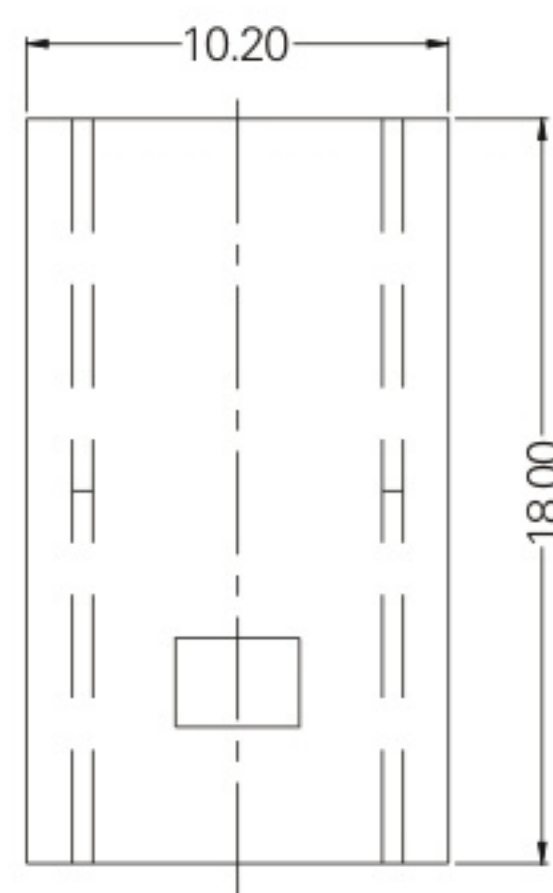
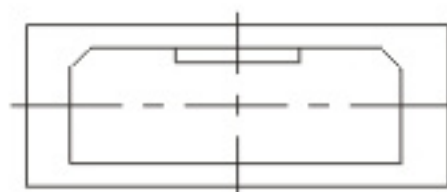


3D VIEW

25408CH-03

2.54mm PITCH WIRE TO WIRE CONNECTOR

- *Current rating:3A AC,DC
- *Voltage rating:250V AC,DC
- *Withstanding Voltage:1500V AC/minute
- *Insulation resistance:1,000M Ω min
- *Temperature range: -25° $\sim +85^{\circ}$
- *Contact resistance:Initial value/10m Ω max,after environmental testg
- *Material:PA66/PBT
- *Qty:1000pcs/bag

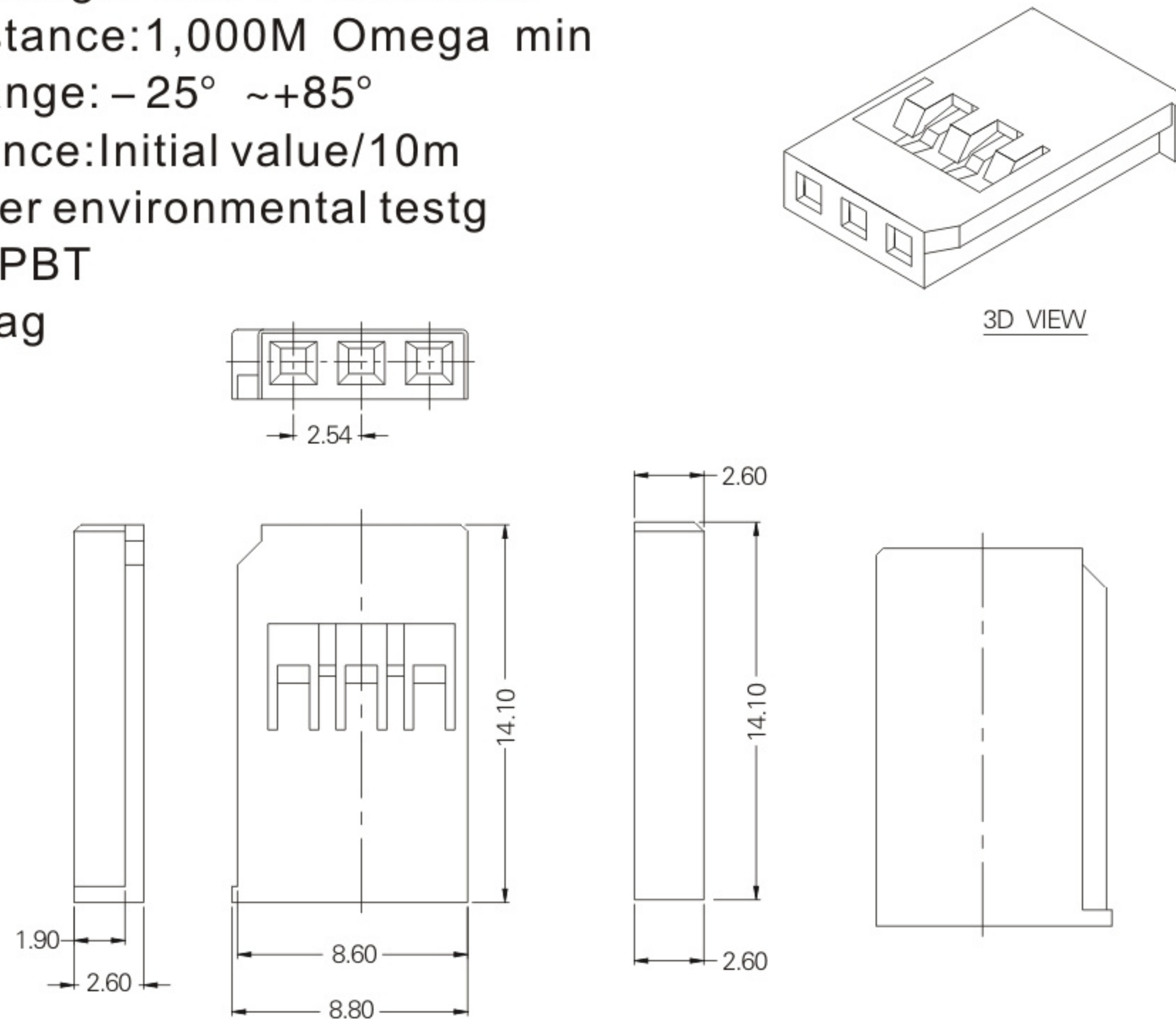


3D VIEW

25408H-03Z

2.54mm PITCH WIRE TO WIRE CONNECTOR

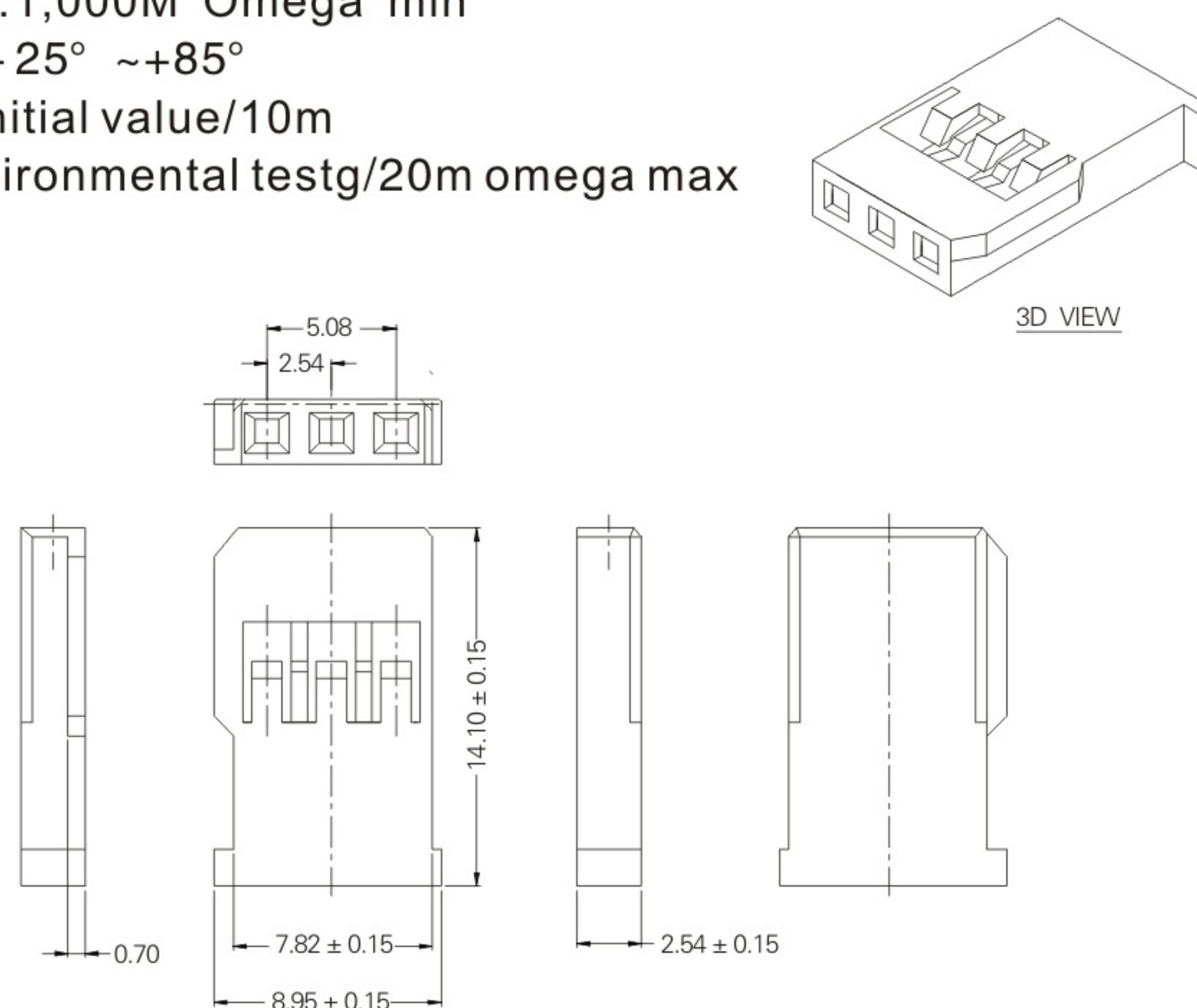
- *Current rating:3A AC,DC
- *Voltage rating:250V AC,DC
- *Withstanding Voltage:1500V AC/minute
- *Insulation resistance:1,000M Ω min
- *Temperature range: -25° ~ $+85^{\circ}$
- *Contact resistance:Initial value/10m Ω max,after environmental testg
- *Material:PA66/PBT
- *Qty:1000pcs/bag



25408H-03ZS

2.54mm PITCH WIRE TO WIRE CONNECTOR

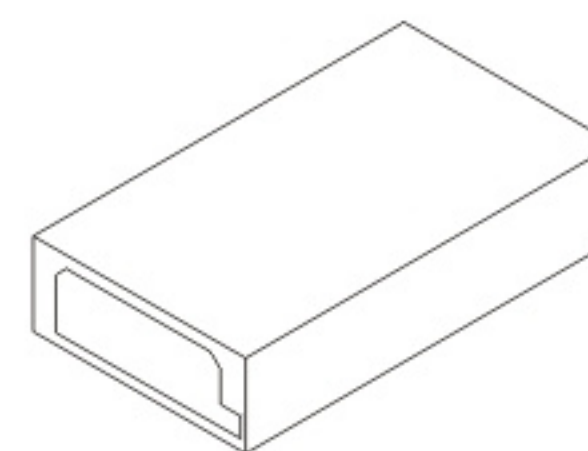
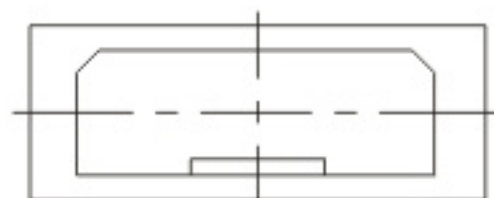
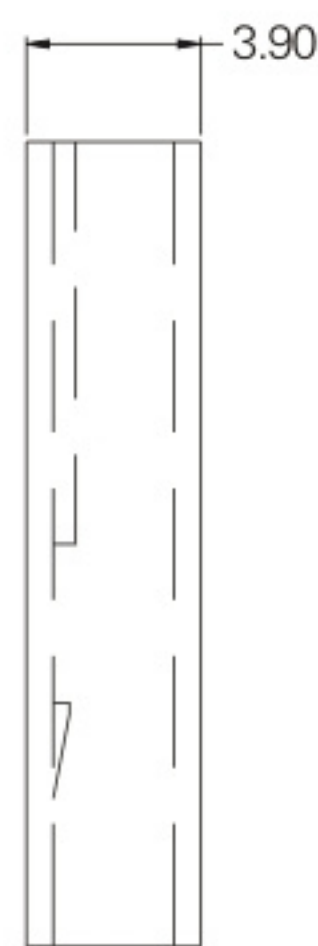
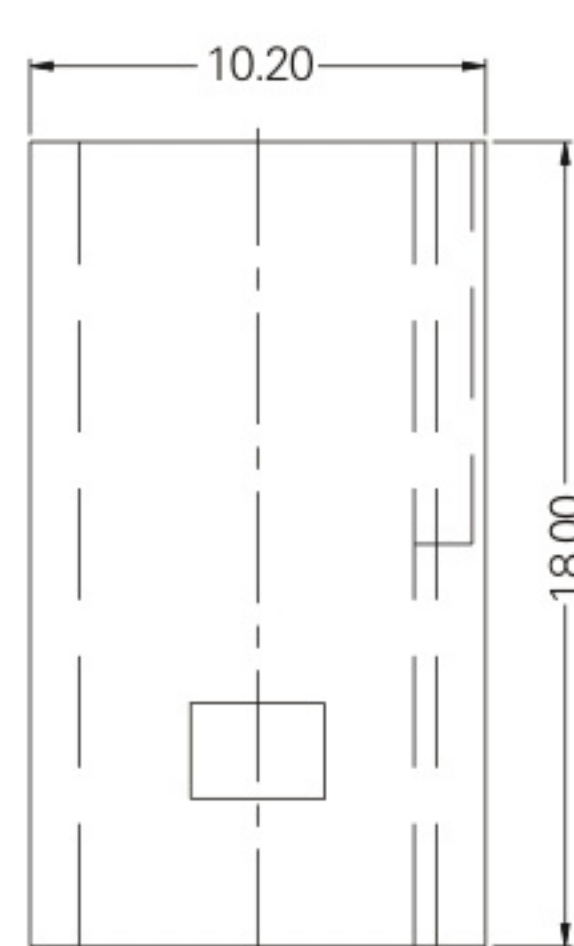
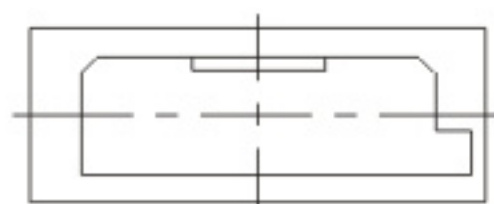
- *Current rating:3A AC,DC
- *Voltage rating:250V AC,DC
- *Withstanding Voltage:1500V AC/minute
- *Insulation resistance:1,000M Ω min
- *Temperature range: -25° ~ $+85^{\circ}$
- *Contact resistance:Initial value/10m Ω max,after environmental testg/20m Ω max
- *Material:PA66/PBT
- *Qty:1000pcs/bag



25408CH-03Z

2.54mm PITCH WIRE TO WIRE CONNECTOR

- *Current rating:3A AC,DC
- *Voltage rating:250V AC,DC
- *Withstanding Voltage:1500V AC/minute
- *Insulation resistance:1,000M Omega min
- *Temperature range: - 25° ~+85°
- *Contact resistance:Initial value/10m omega max,after environmental testg/20m omega max
- *Material:PA66/PBT
- *Qty:1000pcs/bag



3D VIEW