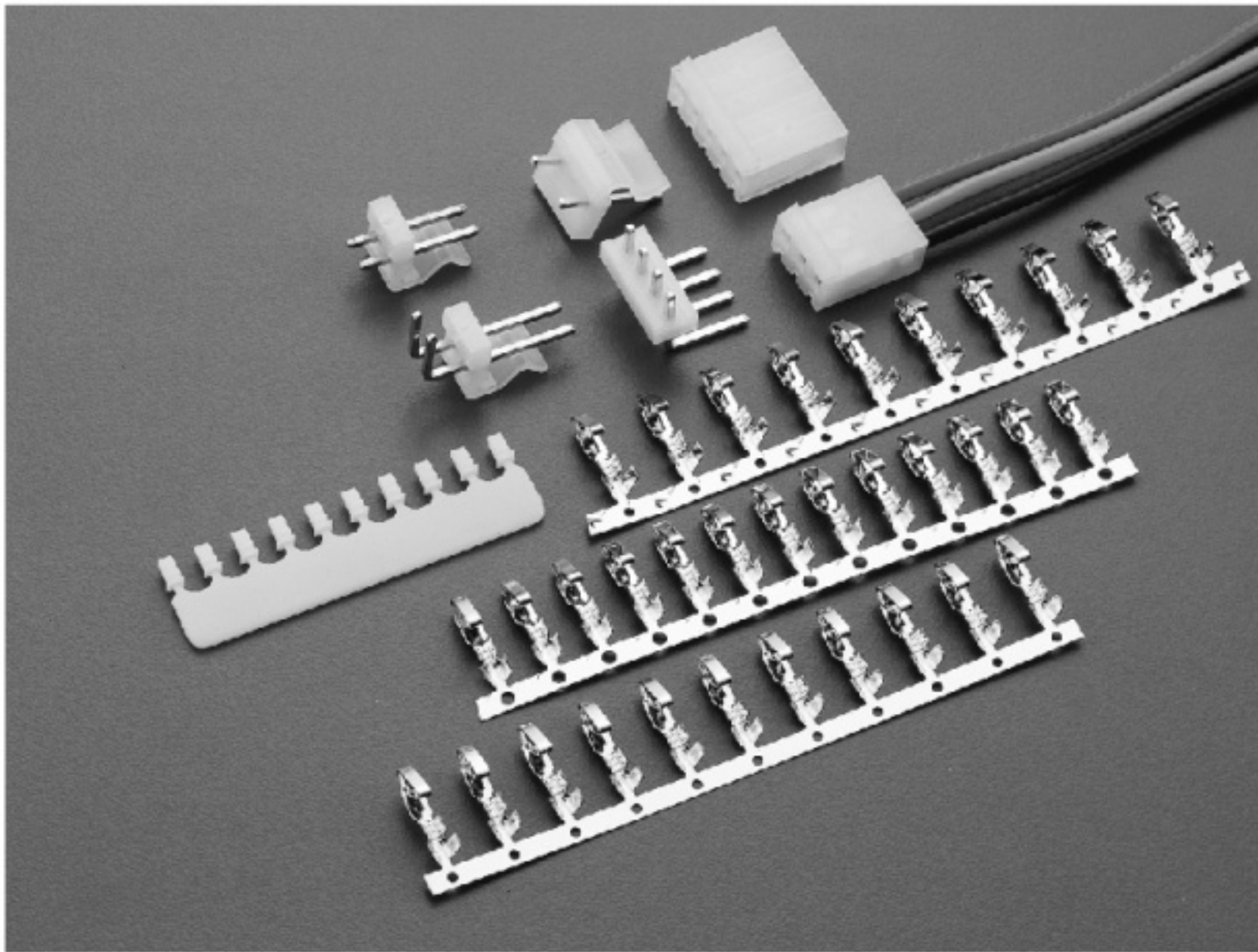


# 8639 SERIES

3.96mm PITCH WIRE TO BOARD CONNECTOR



## Specifications

Current rating: 5A AC,DC

Voltage rating: 250V AC,DC

Temperature range: -25°C to +85°C

(including temperature rise)

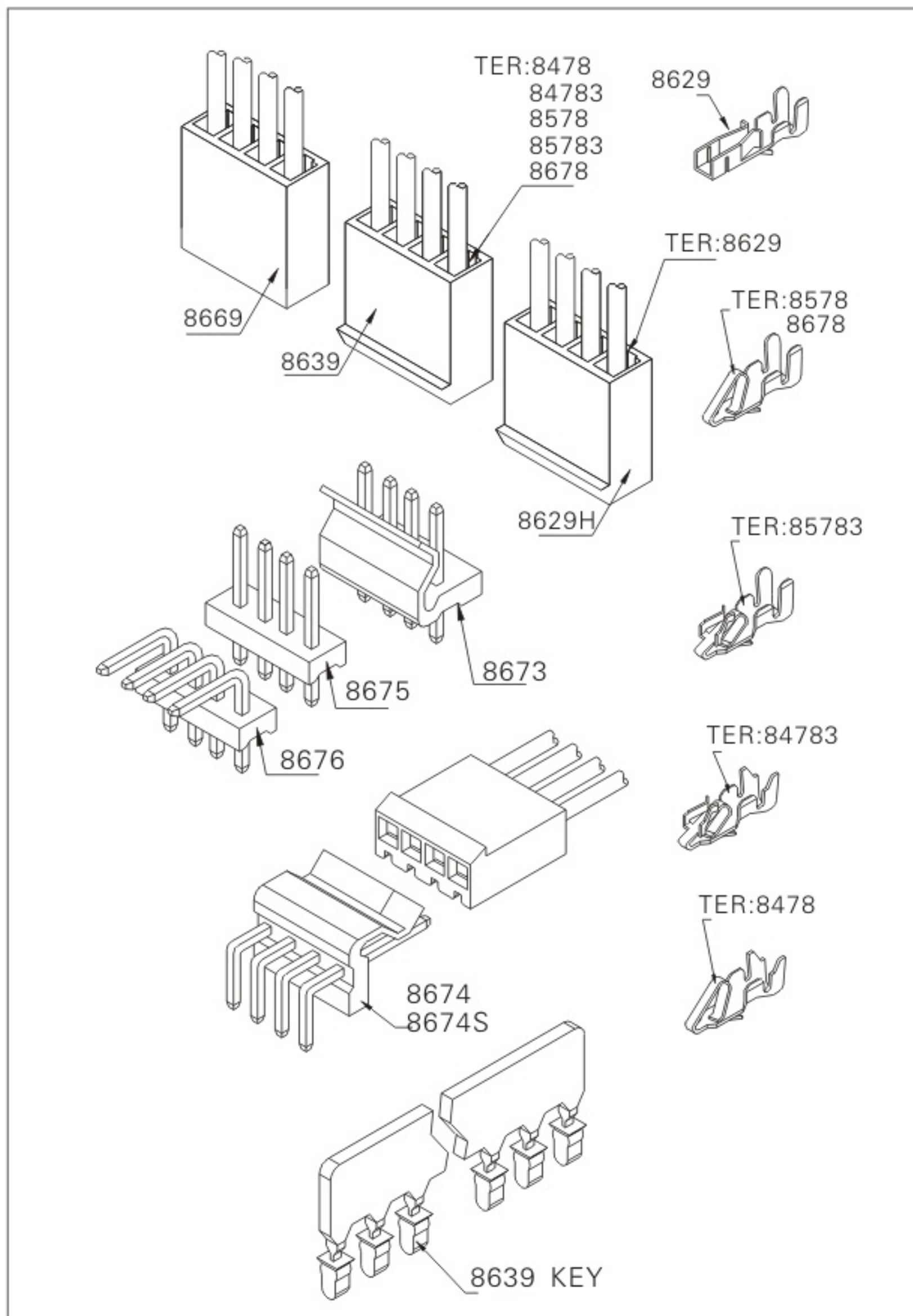
Contact resistance: Initial value/ 10m Ω Max.

After environmental testing/20m Ω Max.

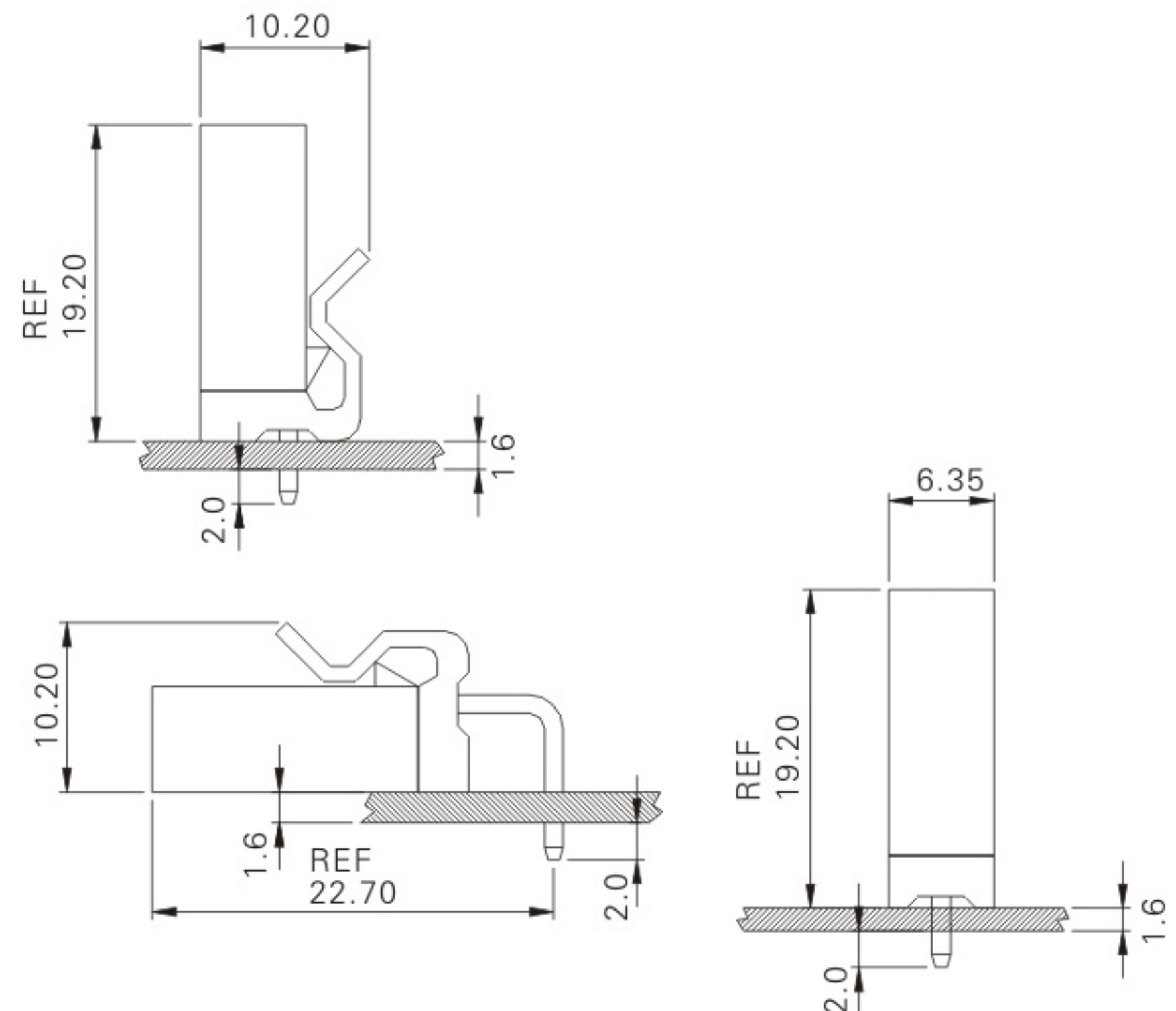
Insulation resistance: 500 M Ω Min.

Withstanding voltage: 1500 V AC/minute

Applicable wire: AWG#18-#22



## Assembly layout

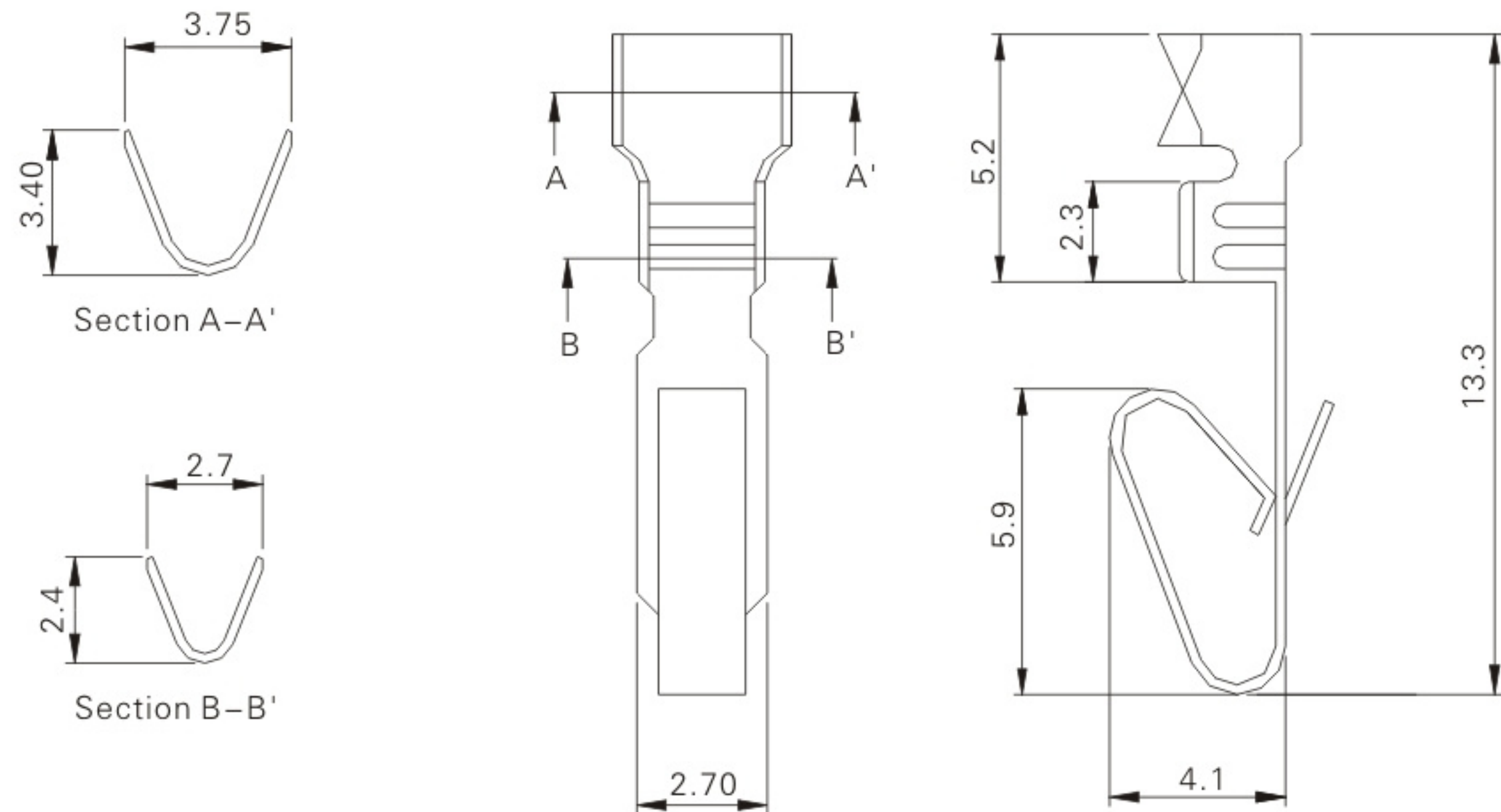




# 8478-T (3.96/5.0/5.08 (5.0x7.5)mm pitch crimp terminal)

## Reference Informations:

- \*Thickness: 0.25mm & 0.30mm
- \*Mat'l: Brass or Phosphor Bronze Tin Plated
- \*Mates With: 5000 5080 7500 8639 series Housing



## Ordering Information & Specifications

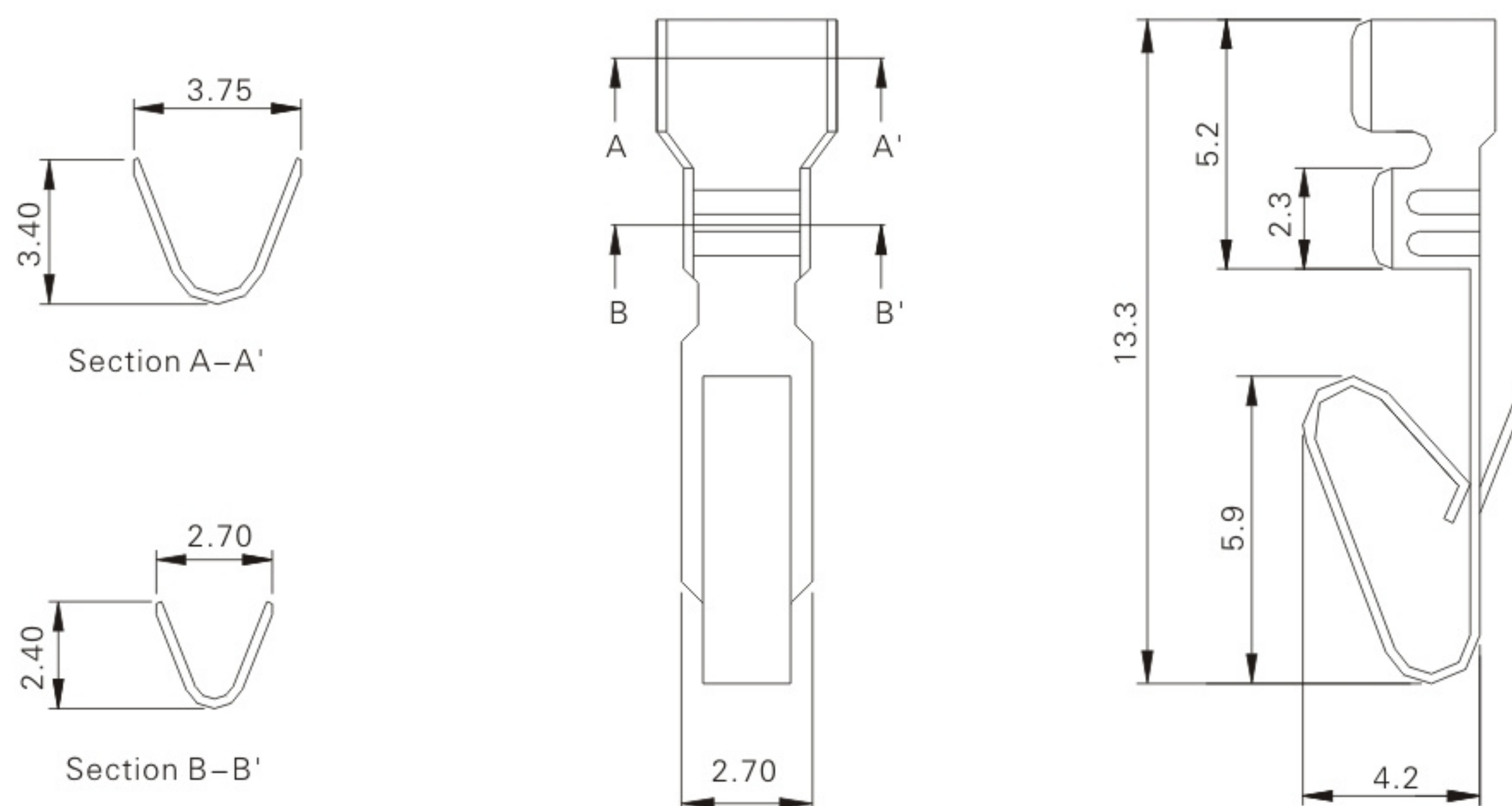
Unit: mm

Part No.	Wire Range	Insulation O.D.	Material	Finish	Qty/reel
8478T-2	AWG#18-22	Φ2.8mm max	Brass	Tin-plated	6,000
8478P-2	AWG#18-22	Φ2.8mm max	Phosphor brass	Tin-plated	6,000

# 8578-T (3.96mm pitch crimp terminal)

## Reference Informations:

- \*Thickness: 0.25mm & 0.30mm
- \*Mat'l: Brass & Phosphor Bronze Tin Plated
- \*Mates With: 8639 8669 series Housing
- \*Accepts With: 1.14mm (0.45") Square Pin



## Ordering Information & Specifications

Unit: mm

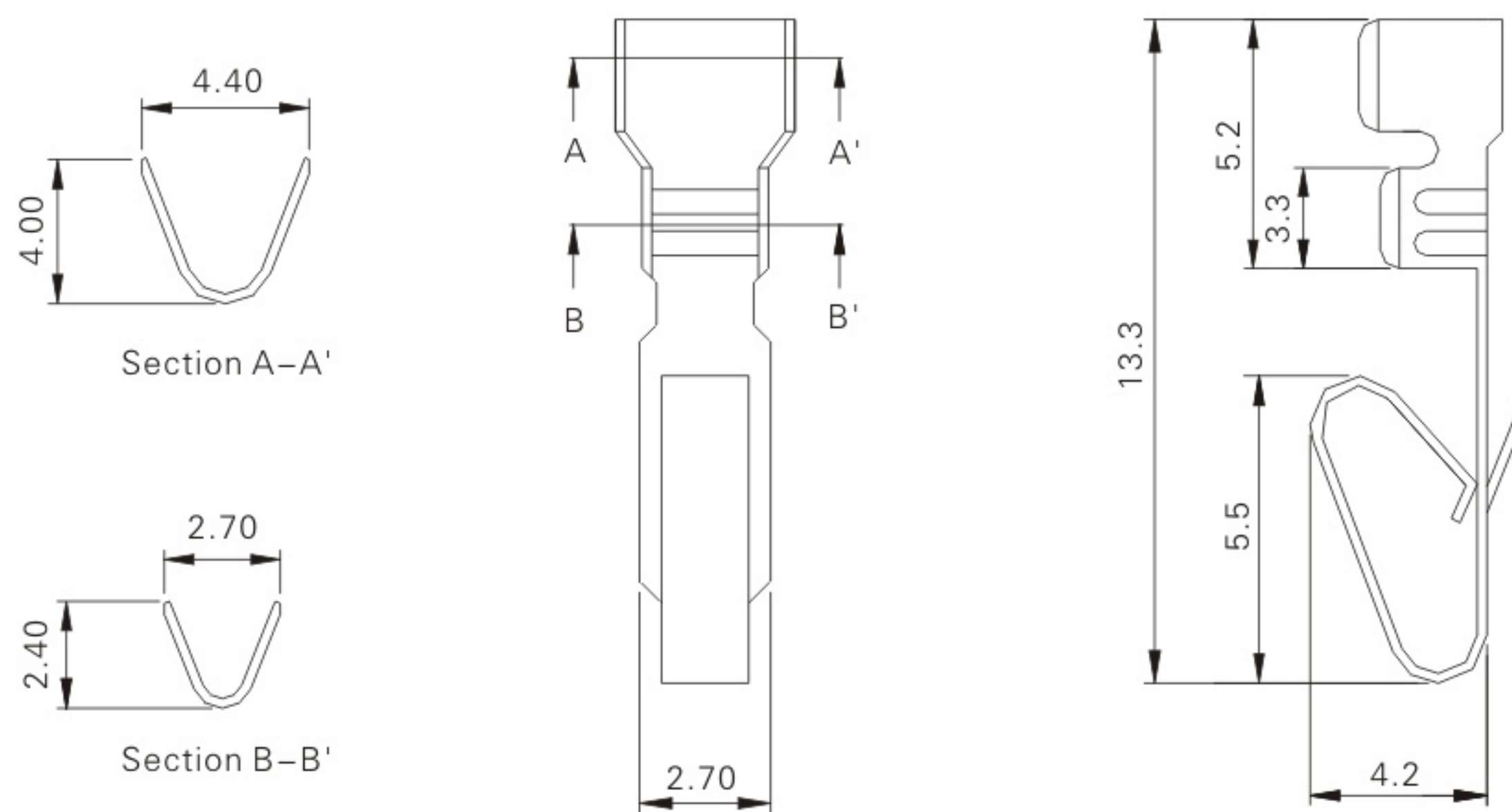
Part No.	Wire Range	Insulation O.D.	Material	Finish	Qty/reel
8578	AWG#16-20	Φ2.8mm max	Brass/Phosphor bronze	Tin-plated	5,000



# 8678-T (3.96mm pitch crimp terminal)

## Reference Informations:

- \*Thickness: 0.25mm & 0.30mm
- \*Mat'l: Brass & Phosphor Bronze Tin Plated
- \*Mates With: 8639 8669 series Housing
- \*Accepts With: 1.14mm (0.45") Square Pin



## Ordering Information & Specifications

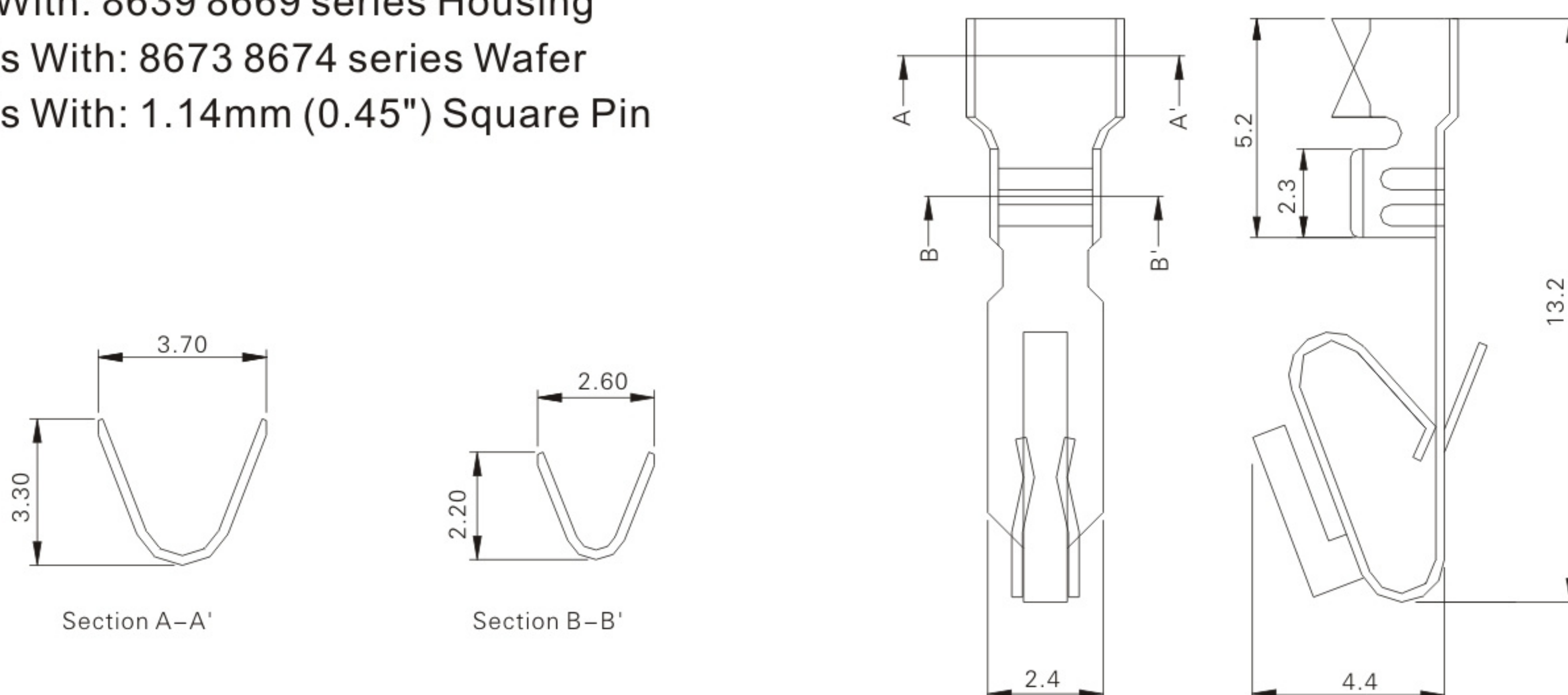
Unit: mm

Part No.	Wire Range	Insulation O.D.	Material	Finish	Qty/reel
8678	AWG#14-16	Φ3.2mm max	Brass/Phosphor bronze	Tin-plated	4,000

# 84783-T (3.96mm pitch crimp terminal)

## Reference Informations:

- \*Thickness: 0.25mm
- \*Mat'l: Phosphor Bronze Tin Plated
- \*Mates With: 8639 8669 series Housing
- \*Accepts With: 8673 8674 series Wafer
- \*Accepts With: 1.14mm (0.45") Square Pin



## Ordering Information & Specifications

Unit: mm

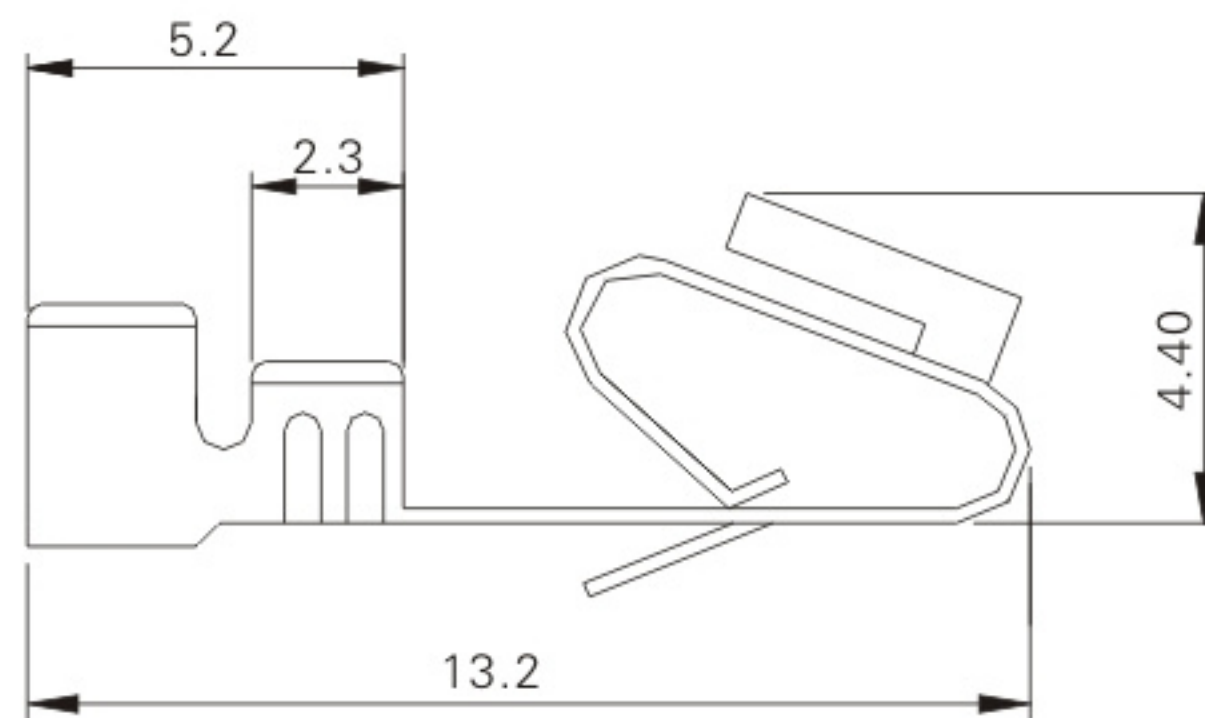
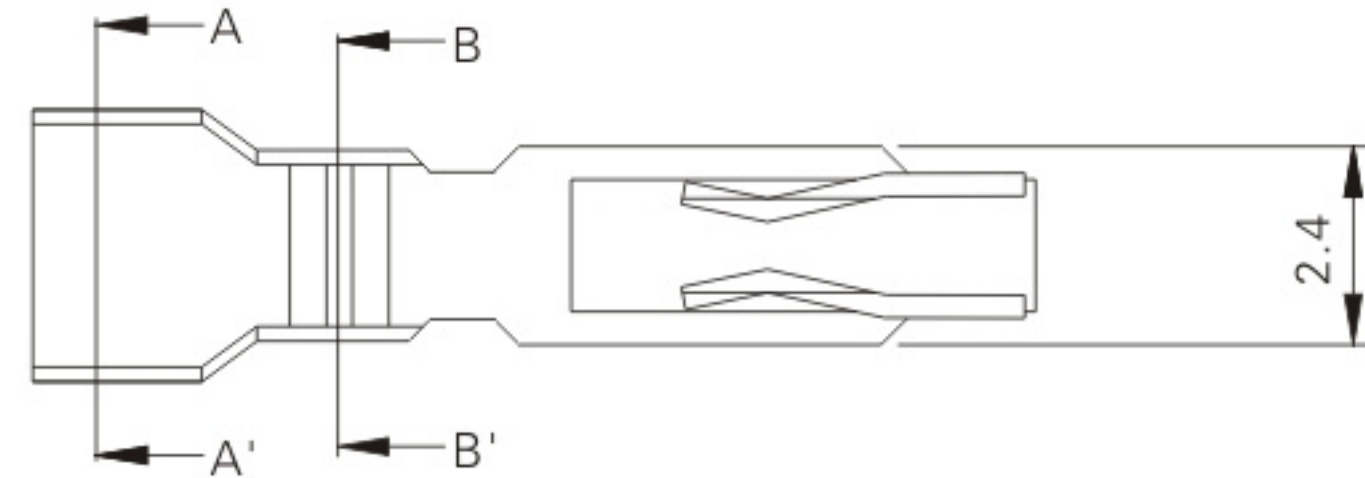
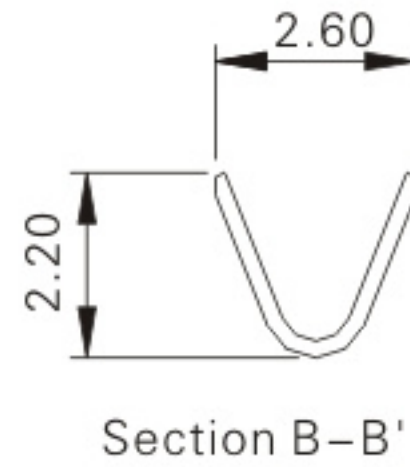
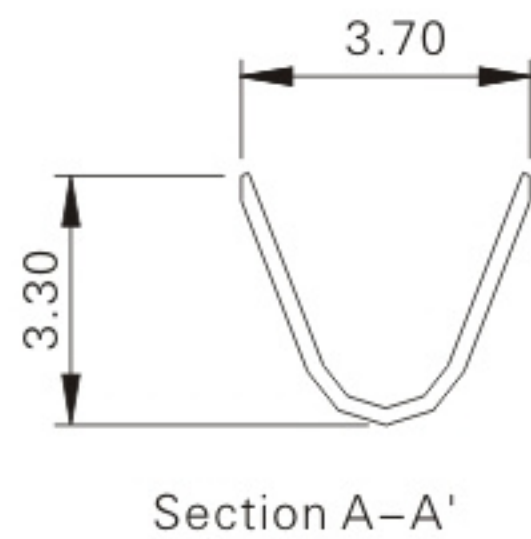
Part No.	Wire Range	Insulation O.D.	Material	Finish	Qty/reel
84783P	AWG#18-#22	Φ1.5~Φ2.8mm	Phosphor bronze	Tin-plated	6,000



# 85783-T (3.96mm pitch crimp terminal)

## Reference Informations:

- \*Thickness: 0.25mm & 0.30mm
- \*Mat'l: Brass & Phosphor Bronze Tin Plated
- \*Accepts With: 8639 8669 series Housing
- \*Accepts With: 8673 8674 series Wafer
- \*Accepts With: 1.14mm (0.45") Square Pin



## Ordering Information & Specifications

Unit: mm

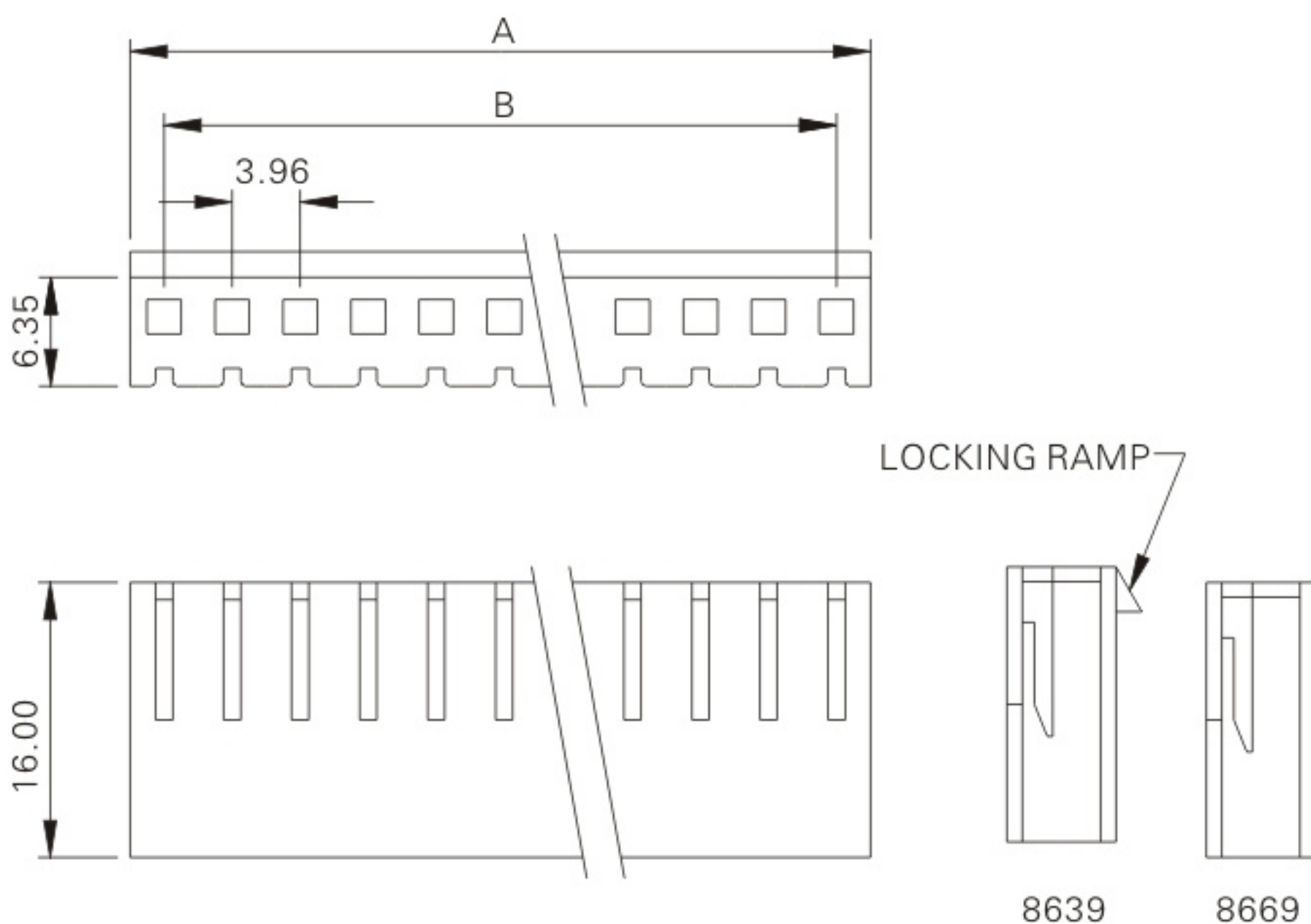
Part No.	Wire Range	Insulation O.D.	Material	Finish	Qty/reel
85783T	AWG#18-#22	Φ2.8mm max	Brass	Tin-plated	5,000
85783P	AWG#18-#22	Φ2.8mm max	Phosphor bronze	Tin-plated	5,000

# 8639 8669H-NP (3.96mm pitch crimp housing)

## Reference Informations:

- \*Mat'l: Nylon 66 UL94V-2
- \*Mates With: 8478 8578 8678 84783  
85783 series Terminal
- \*Accepts With: 8673 8674 series Wafer

## Ordering Information & Dimensions



Circuits	With Locking Ramp	W/O Locking Ramp	DIM.(mm)	
			A	B
02	8639-02	8669H-02	8.22	3.96
03	8639-03	8669H-03	12.18	7.92
04	8639-04	8669H-04	16.14	11.88
05	8639-05	8669H-05	20.10	15.84
06	8639-06	8669H-06	24.06	19.80
07	8639-07	8669H-07	28.02	23.76
08	8639-08	8669H-08	31.98	27.72
09	8639-09	8669H-09	35.94	31.68
10	8639-10	8669H-10	39.90	35.64
11	8639-11	8669H-11	43.86	39.60
12	8639-12	8669H-12	47.87	43.56
13	8639-13	8669H-13	51.78	47.52
14	8639-14	8669H-14	55.74	51.48
15	8639-15	8669H-15	59.70	55.44
16	8639-16	8669H-16	63.66	59.40
17	8639-17	8669H-17	67.62	63.36
18	8639-18	8669H-18	71.58	67.32
19	8639-19	8669H-19	75.54	71.28
20	8639-20	8669H-20	79.50	75.24



# 8673 (3.96mm pitch 180° wafer)

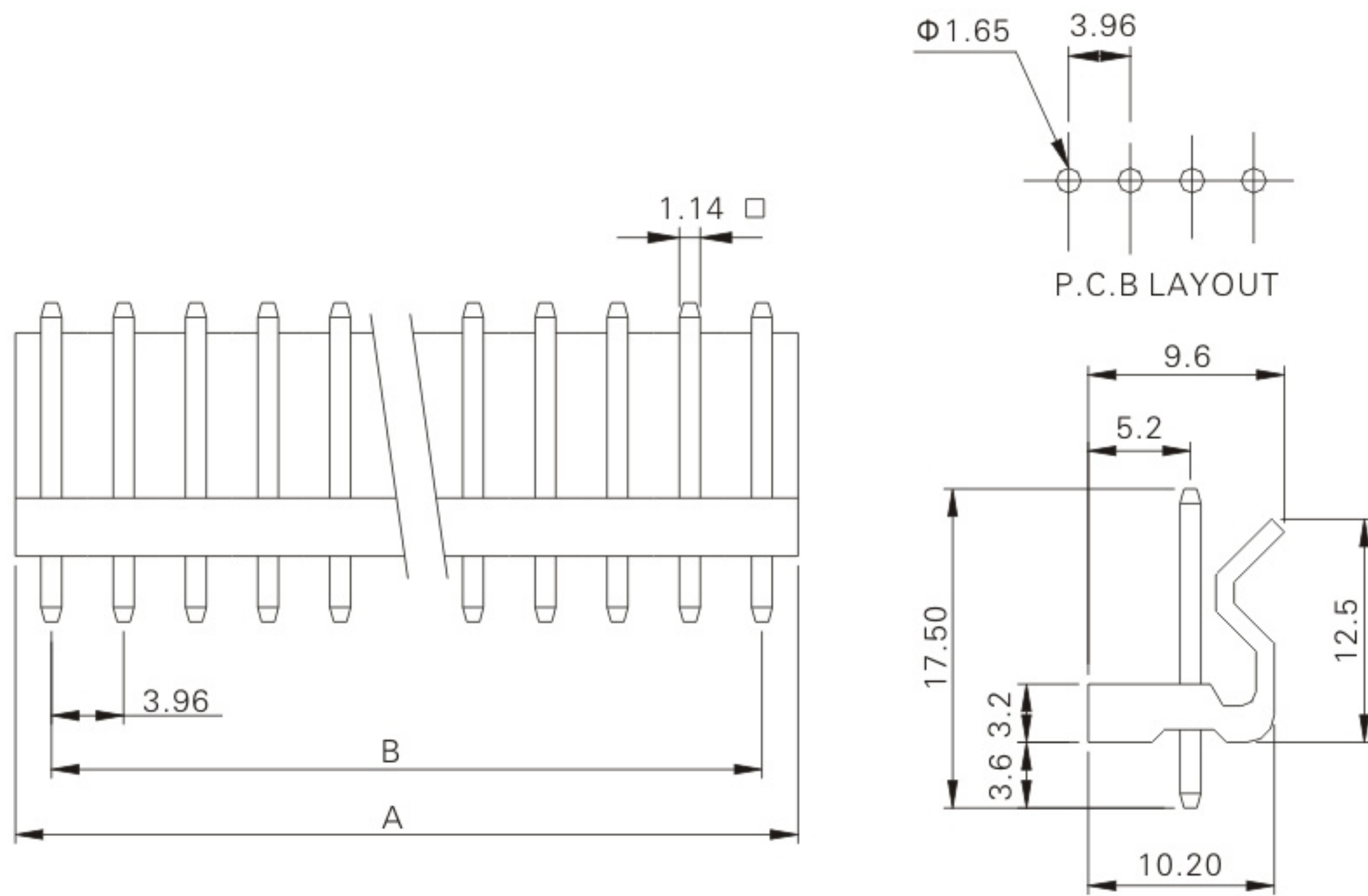
## Reference Informations:

\*Mat'l: Body: Nylon 66 UL 94V-2

Pins: Brass Tin Plated

\*Mates With: 8478 8578 8678 84783 85783 series Terminal

\*Accepts With: 8639 8669 series Housing



## Ordering Information & Dimensions

Circuits	Part No.	DIM.(mm)	
		A	B
02	8673-02	7.92	3.96
03	8673-03	11.88	7.92
04	8673-04	15.84	11.88
05	8673-05	19.80	15.84
06	8673-06	23.76	19.80
07	8673-07	27.72	23.76
08	8673-08	31.68	27.72
09	8673-09	35.64	31.68
10	8673-10	39.60	35.64
11	8673-11	43.56	39.60
12	8673-12	47.52	43.56
13	8673-13	51.48	47.52
14	8673-14	55.44	51.48
15	8673-15	59.40	55.44
16	8673-16	63.36	59.40
17	8673-17	67.32	63.36
18	8673-18	71.28	67.32
19	8673-19	75.24	71.28
20	8673-20	79.20	75.24

# 8674 8674S (3.96mm pitch 90° wafer)

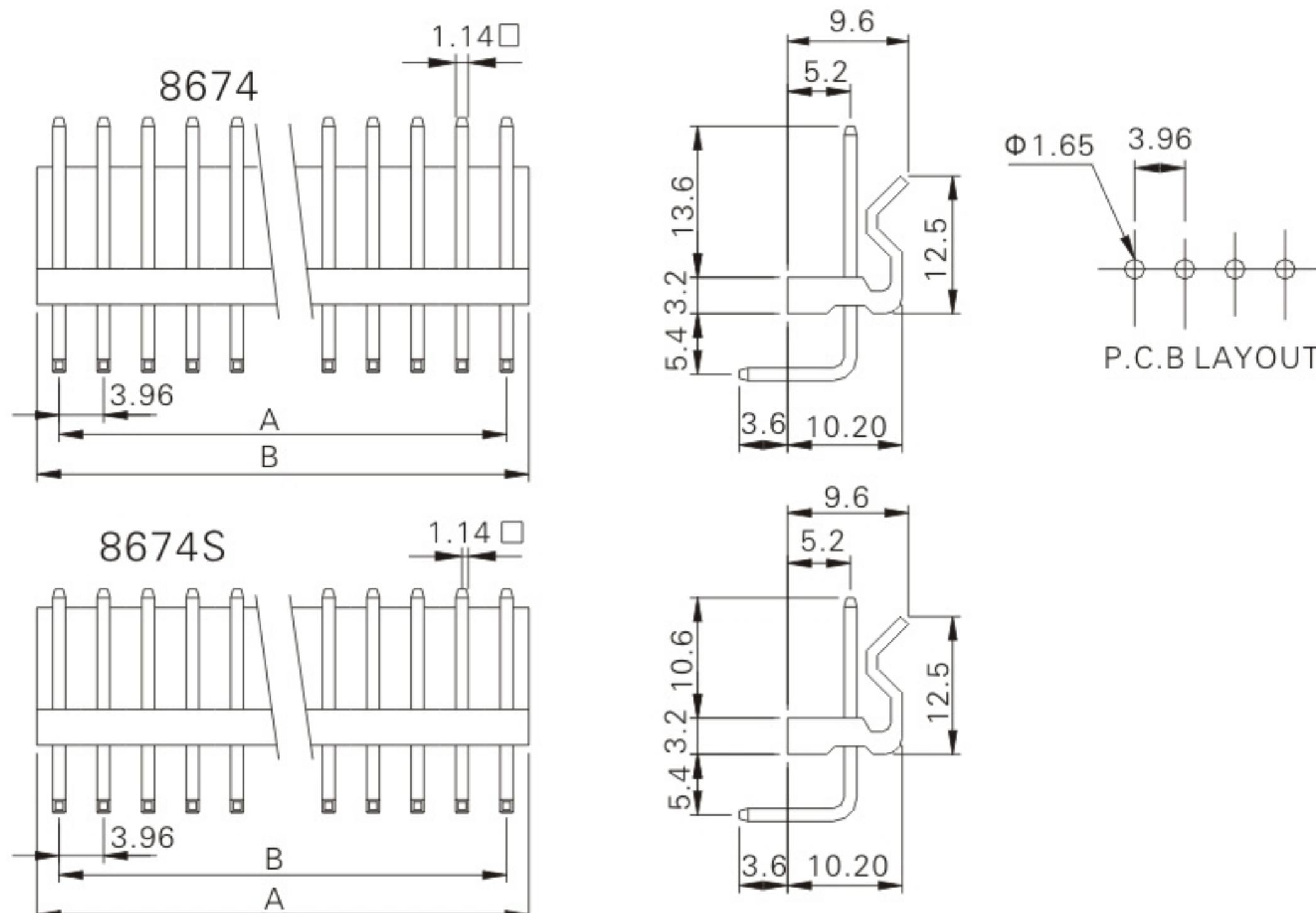
## Reference Informations:

\*Mat'l: Body: Nylon 66 UI 94v-2

Pins: Brass Tin Plated

\*Mates With: 8478 8578 8678 84783 85783 series Terminal

\*Accepts With: 8639 & 8669 & 8629H series Housing



## Ordering Information & Dimensions

Circuits	Part No.	DIM.(mm)	
		A	B
02	8674-02	7.92	3.96
03	8674-03	11.88	7.92
04	8674-04	15.84	11.88
05	8674-05	19.80	15.84
06	8674-06	23.76	19.80
07	8674-07	27.72	23.76
08	8674-08	31.68	27.72
09	8674-09	35.64	31.68
10	8674-10	39.60	35.64
11	8674-11	43.56	39.60
12	8674-12	47.52	43.56
13	8674-13	51.48	47.52
14	8674-14	55.44	51.48
15	8674-15	59.40	55.44
16	8674-16	63.36	59.40
17	8674-17	67.32	63.36
18	8674-18	71.28	67.32
19	8674-19	75.24	71.28
20	8674-20	79.20	75.24



# 8675 (3.96mm pitch 180° wafer & 90° wafer)

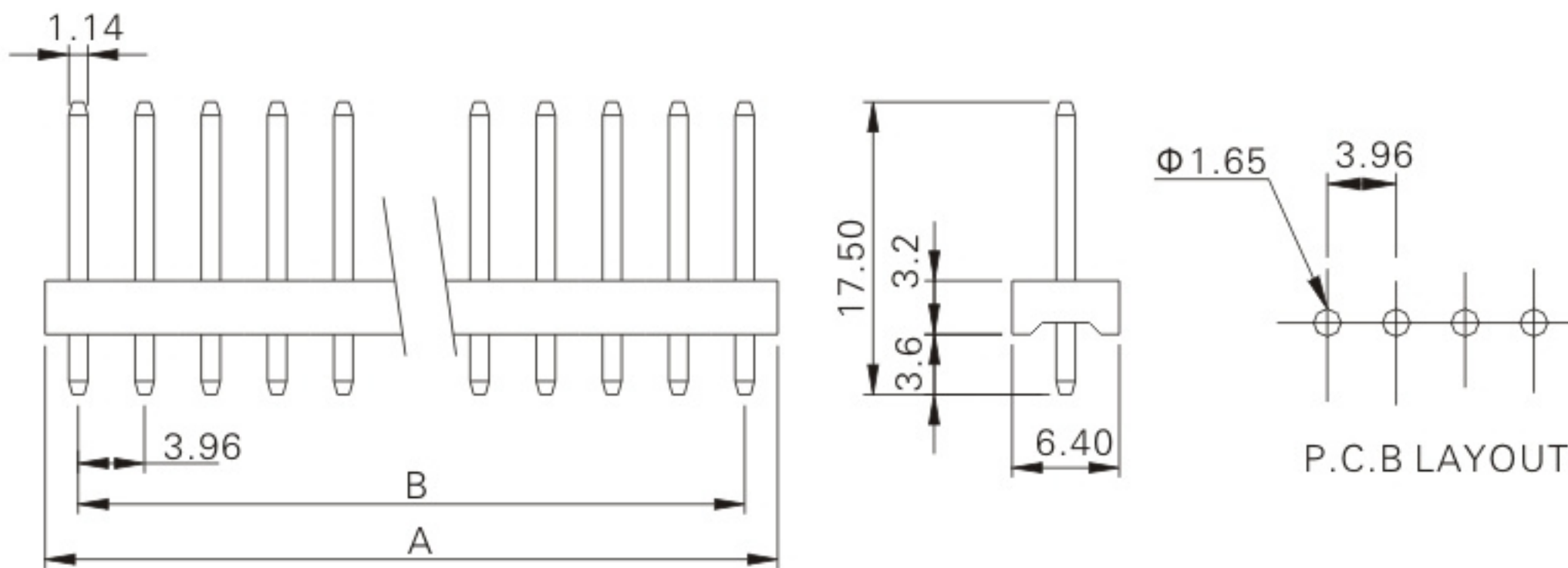
## Reference Informations:

\*Mat'l: Body: Nylon 66 UL 94V-2

Pins: Brass Tin Plated

\*Mates With: 8478 8578 8678 84783 85783 series Terminal

\*Accepts With: 8639 8669 series Housing



## Ordering Information & Dimensions

Circuits	Part No.	DIM.(mm)	
		A	B
02	8675-02	7.92	3.96
03	8675-03	11.88	7.92
04	8675-04	15.84	11.88
05	8675-05	19.80	15.84
06	8675-06	23.76	19.80
07	8675-07	27.72	23.76
08	8675-08	31.68	27.72
09	8675-09	35.64	31.68
10	8675-10	39.60	35.64
11	8675-11	43.56	39.60
12	8675-12	47.52	43.56
13	8675-13	51.48	47.52
14	8675-14	55.44	51.48
15	8675-15	59.40	55.44
16	8675-16	63.36	59.40
17	8675-17	67.32	63.36
18	8675-18	71.28	67.32
19	8675-19	75.24	71.28
20	8675-20	79.20	75.24

# 8676 (3.96mm pitch 180° wafer & 90° wafer)

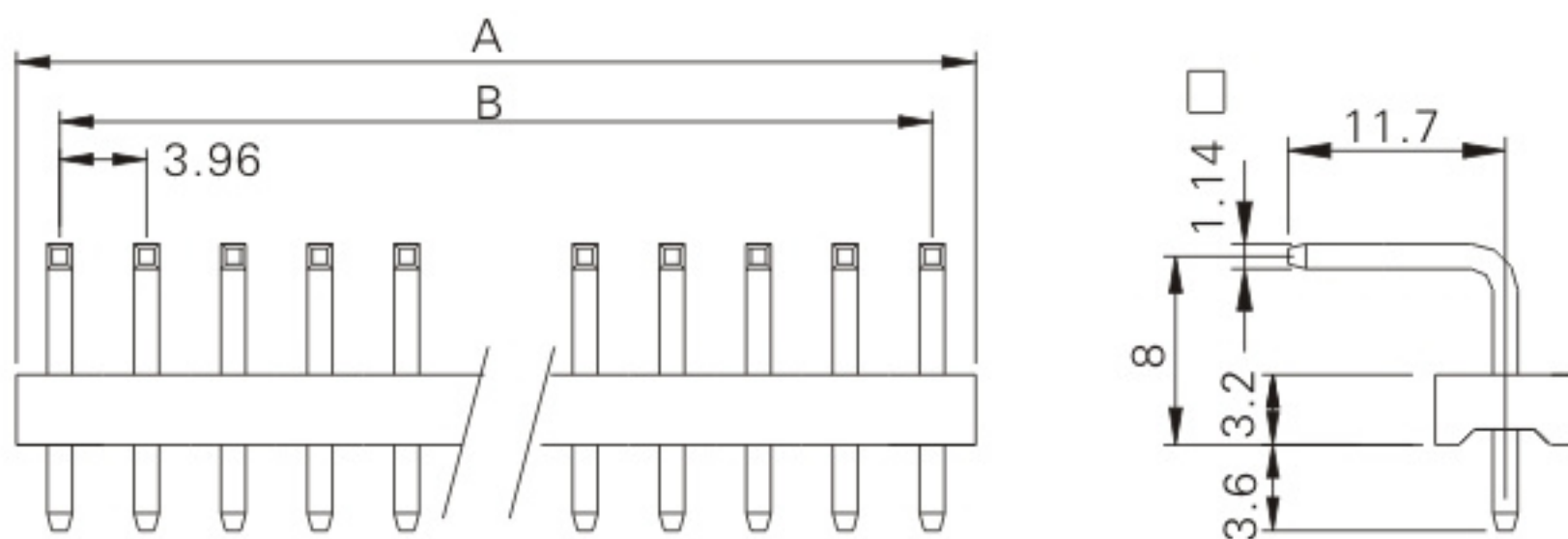
## Reference Informations:

\*Mat'l: Body: Nylon 66 UL 94V-2

Pins: Brass Tin Plated

\*Mates With: 8478 8578 8678 84783 85783 series Terminal

\*Accepts With: 8639 8669 series Housing



## Ordering Information & Dimensions

Circuits	Part No.	DIM.(mm)	
		A	B
02	8676-02	7.92	3.96
03	8676-03	11.88	7.92
04	8676-04	15.84	11.88
05	8676-05	19.80	15.84
06	8676-06	23.76	19.80
07	8676-07	27.72	23.76
08	8676-08	31.68	27.72
09	8676-09	35.64	31.68
10	8676-10	39.60	35.64
11	8676-11	43.56	39.60
12	8676-12	47.52	43.56
13	8676-13	51.48	47.52
14	8676-14	55.44	51.48
15	8676-15	59.40	55.44
16	8676-16	63.36	59.40
17	8676-17	67.32	63.36
18	8676-18	71.28	67.32
19	8676-19	75.24	71.28
20	8676-20	79.20	75.24