

Specifications

Current rating: 5A AC,DC

Voltage rating: 250V AC,DC

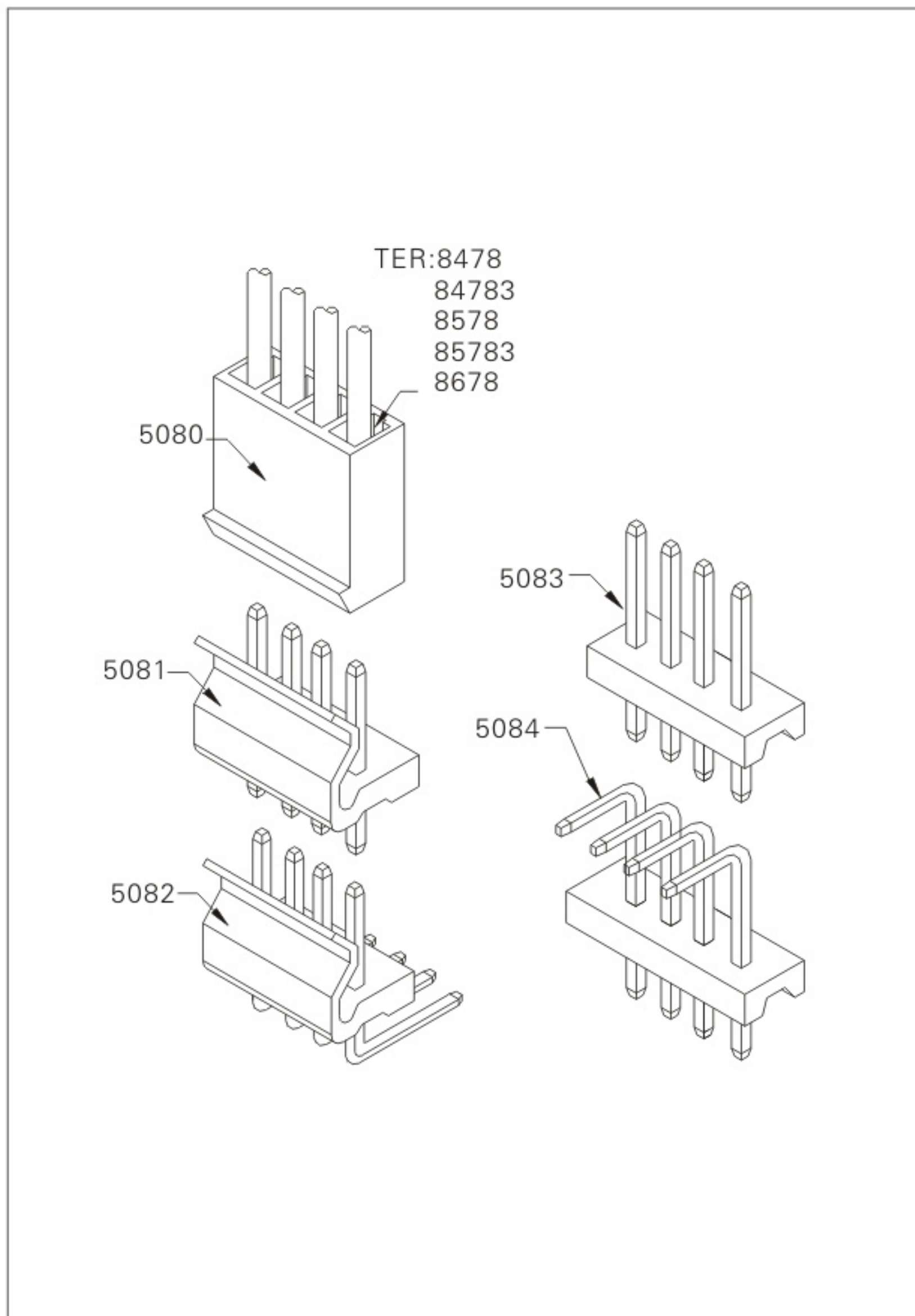
Temperature range: -25°C to +85°C
(including temperature rise)

Contact resistance: Initial value/ 10m Ω Max.
After environmental testing/10m Ω Max.

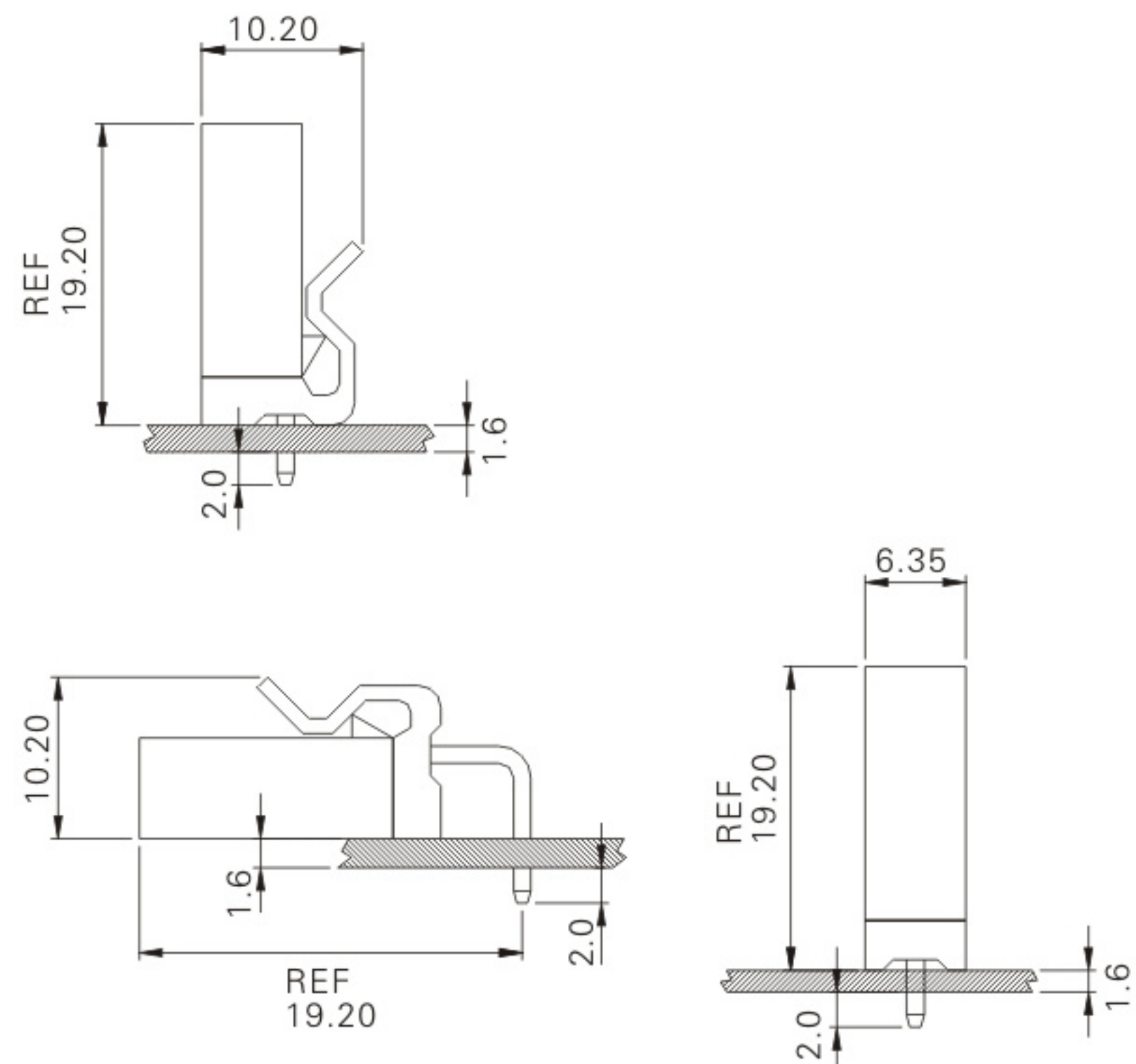
Insulation resistance: 500 M Ω Min.

Withstanding voltage: 1000V AC/minute

Applicable wire: AWG#18-22



Assembly layout



5080H-NP (5.08mm crimp housing)

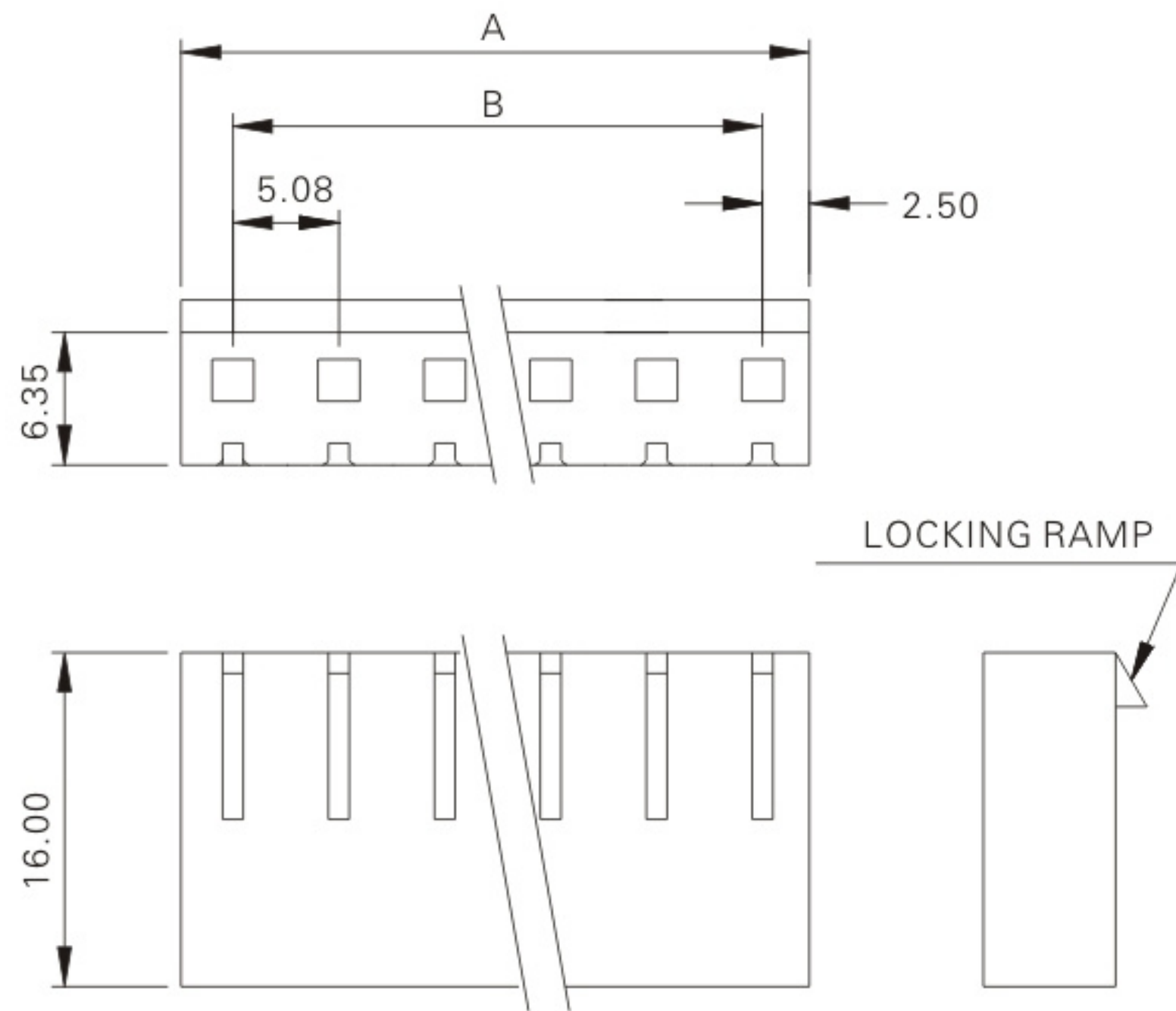
Reference Informations:

*Material: Nylon 66 UL94V-2

*Mates With: 8478 8578 8678

84783 85783 series Terminal

*Accepts With: 5081 5082 5083 5084 series Wafer



Ordering Information & Dimensions

Circuits	Model No.	DIM.(mm)	
		A	B
02	5080H-02P	10.08	5.08
03	5080H-03P	15.16	10.16
04	5080H-04P	20.24	15.24
05	5080H-05P	25.32	20.32
06	5080H-06P	30.40	25.40
07	5080H-07P	35.48	30.48
08	5080H-08P	40.56	35.56
09	5080H-09P	45.64	40.64
10	5080H-10P	50.72	45.72
11	5080H-11P	55.88	50.80
12	5080H-12P	60.88	55.88
13	5080H-13P	65.96	60.96
14	5080H-14P	71.04	66.04
15	5080H-15P	76.12	71.12

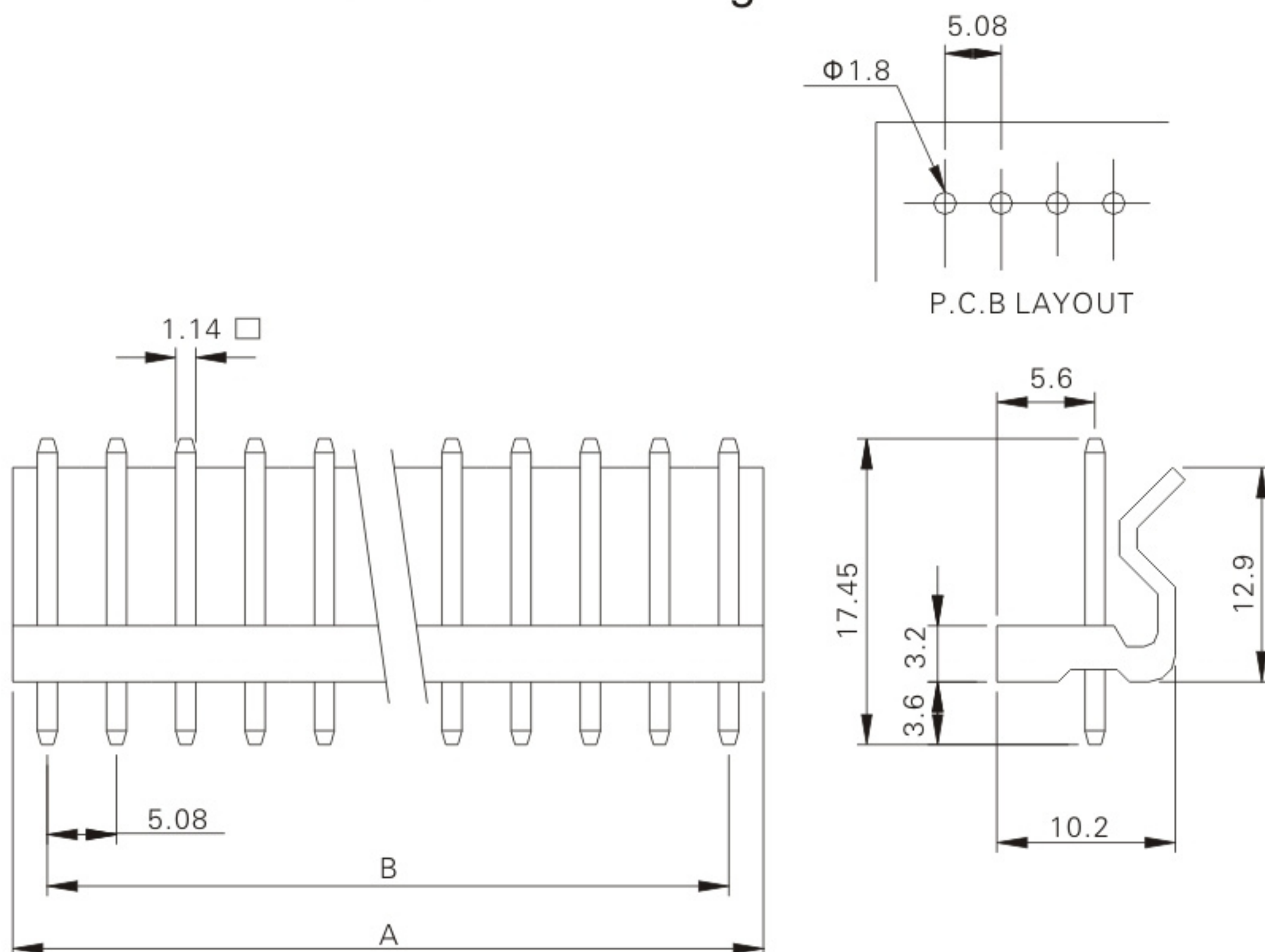
5081-NP (5.08mm pitch 180° wafer)

Reference Informations:

*Mat'l: Body: Nylon 66 UL 94V-2

Pins: Brass Tin Plated

*Mates With 5080H series Housing



Ordering Information & Dimensions

Circuits	Part No.	DIM.(mm)	
		A	B
02	5081-02P	10.16	5.08
03	5081-03P	15.24	10.16
04	5081-04P	20.32	15.24
05	5081-05P	25.40	20.32
06	5081-06P	30.48	25.40
07	5081-07P	35.56	30.48
08	5081-08P	40.64	35.56
09	5081-09P	45.72	40.64
10	5081-10P	50.80	45.72
11	5081-11P	55.88	50.80
12	5081-12P	60.96	55.88
13	5081-13P	66.04	60.96
14	5081-14P	71.12	66.04
15	5081-15P	76.20	71.12

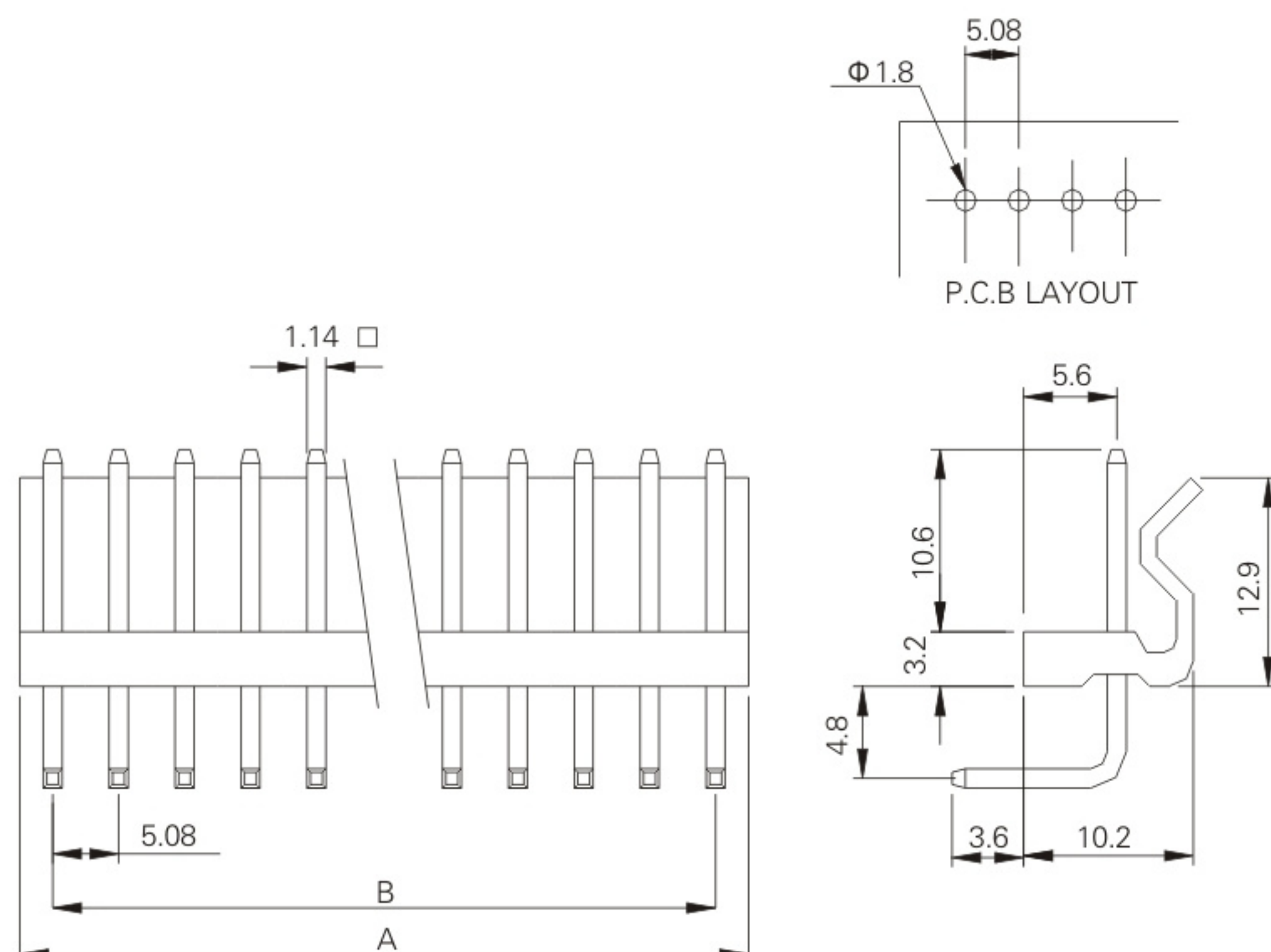
5082-NP (5.08mm pitch 90° wafer)

Reference Informations:

*Mat'l: Body: Nylon 66 UL 94V-2

Pins: Brass Tin Plated

*Mates With 5080H series Housing



Ordering Information & Dimensions

Circuits	Part No.	DIM.(mm)	
		A	B
02	5082-02P	10.16	5.08
03	5082-03P	15.24	10.16
04	5082-04P	20.32	15.24
05	5082-05P	25.40	20.32
06	5082-06P	30.48	25.40
07	5082-07P	35.56	30.48
08	5082-08P	40.64	35.56
09	5082-09P	45.72	40.64
10	5082-10P	50.80	45.72
11	5082-11P	55.88	50.80
12	5082-12P	60.96	55.88
13	5082-13P	66.04	60.96
14	5082-14P	71.12	66.04
15	5082-15P	76.20	71.12

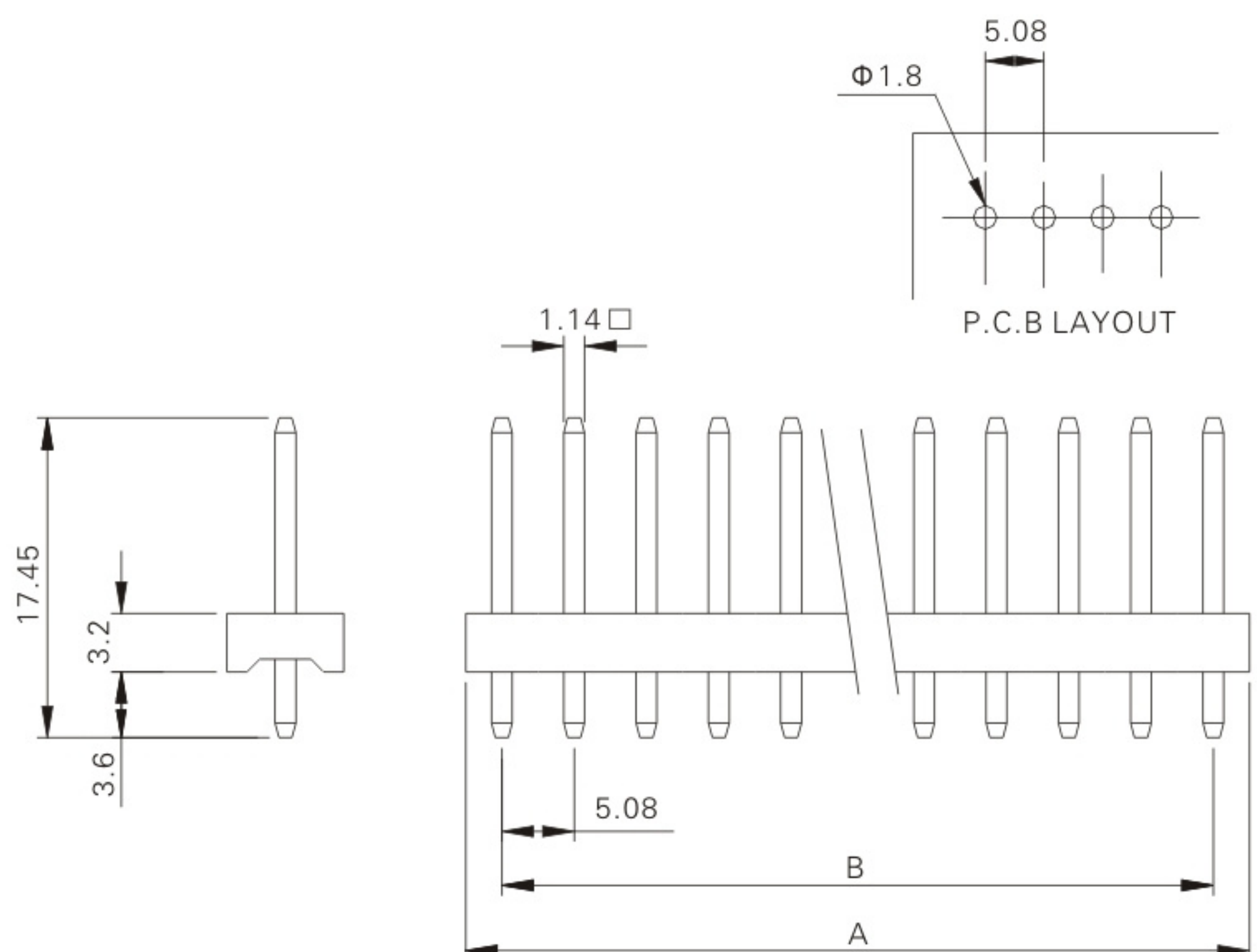
5083-NP (5.08mm pitch 180° wafer)

Reference Informations:

*Mat'l: Body: Nylon 66 UL 94V-2

Pins: Brass Tin Plated

*Mates With 5080H series Housing



Ordering Information & Dimensions

Circuits	Part No.	DIM.(mm)	
		A	B
02	5083-02P	10.16	5.08
03	5083-03P	15.24	10.16
04	5083-04P	20.32	15.24
05	5083-05P	25.40	20.32
06	5083-06P	30.48	25.40
07	5083-07P	35.56	30.48
08	5083-08P	40.64	35.56
09	5083-09P	45.72	40.64
10	5083-10P	50.80	45.72
11	5083-11P	55.88	50.80
12	5083-12P	60.96	55.88
13	5083-13P	66.04	60.96
14	5083-14P	71.12	66.04
15	5083-15P	76.20	71.12