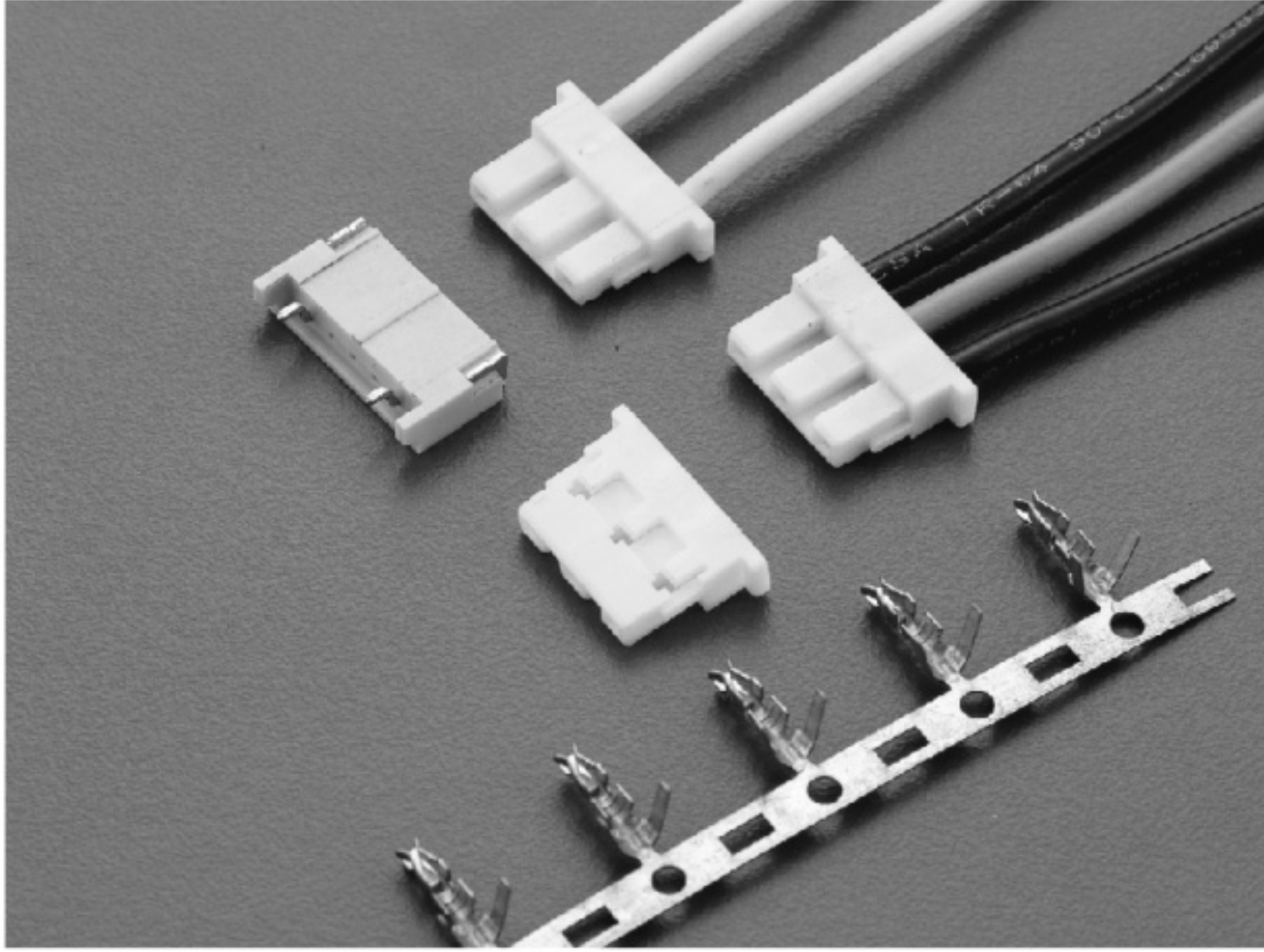


4001H SERIES

4.00mm PITCH WIRE TO BOARD CONNECTOR



Specifications

Current rating: 3A AC,DC

Voltage rating: 250V AC,DC

Temperature range: -25°C to +85°C
(including temperature rise)

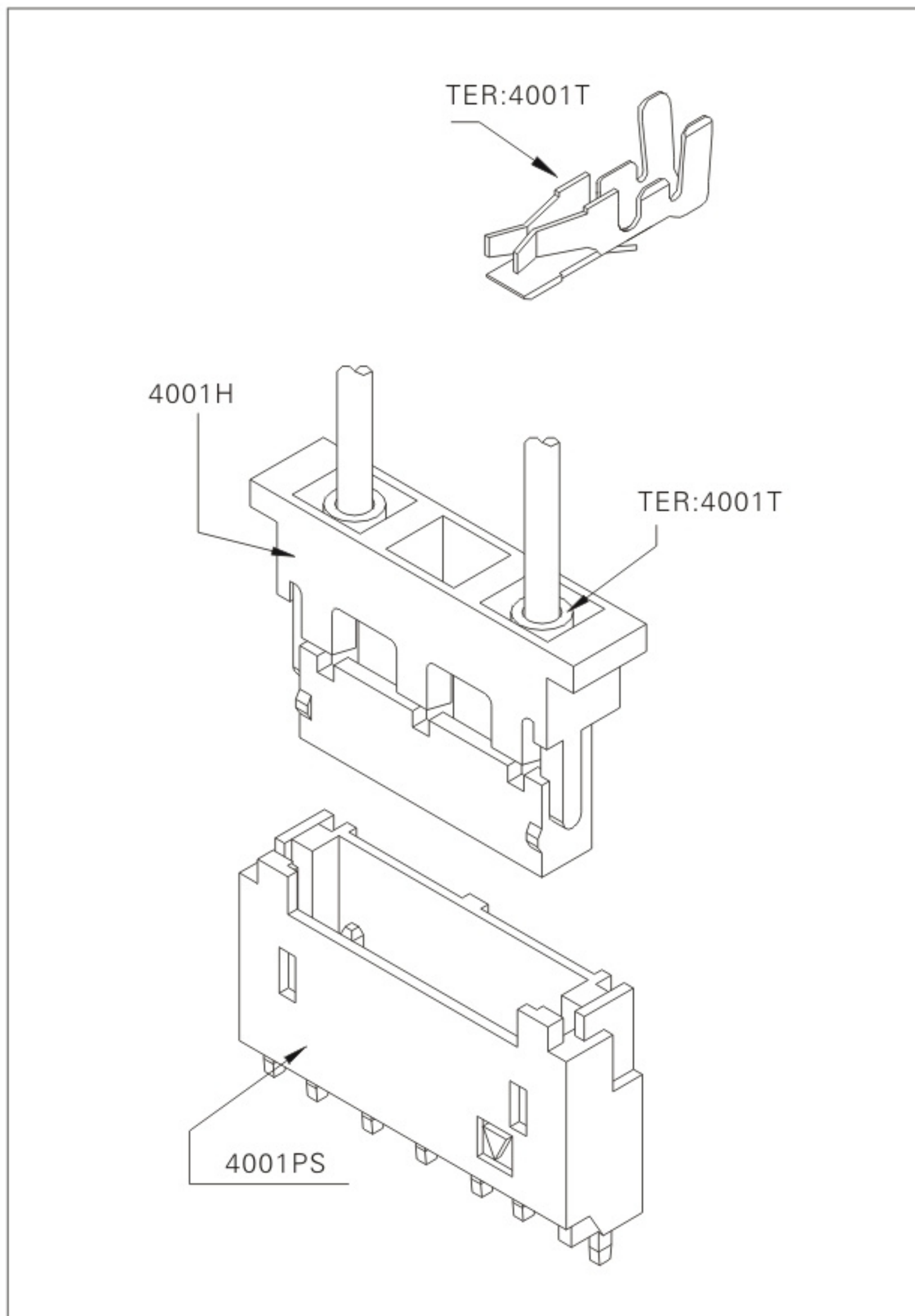
Contact resistance: Initial value/ 10m Ω Max.

After environmental testing/20m Ω Max.

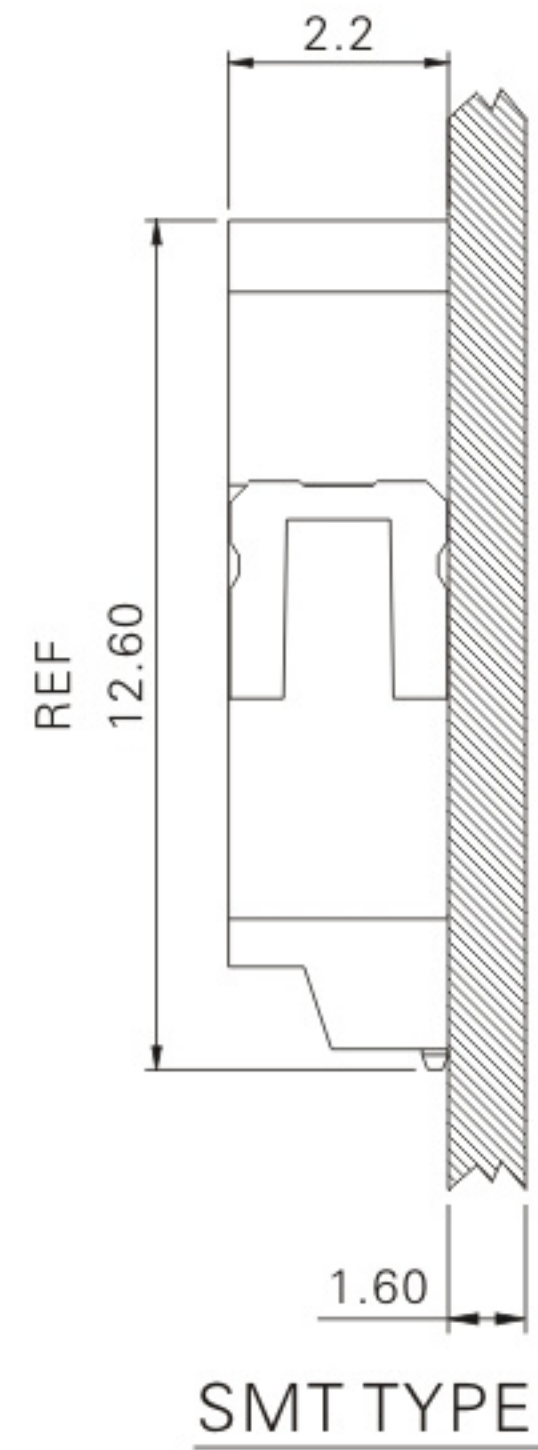
Insulation resistance: 500M Ω Min.

Withstanding voltage: 1500V AC/minute

Applicable wire: AWG#22-#28



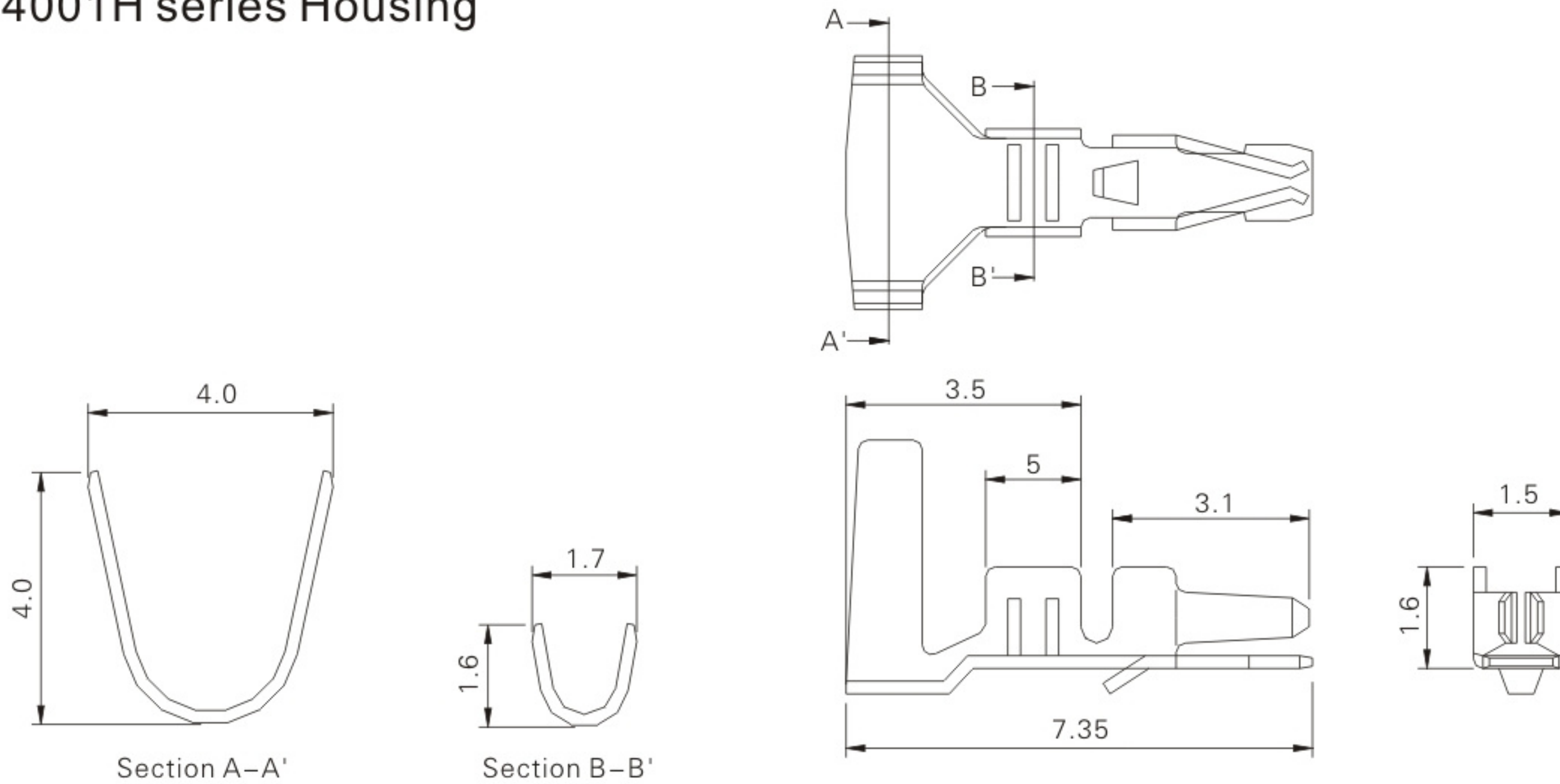
Assembly layout



4001-T (4.0mm pitch crimp terminal)

Reference Informations:

- *Thickness:0.2mm
- *Mat'l: Phosphor Bronze Tin plated
- *Mates With: 4001H series Housing



Ordering Information & Specifications

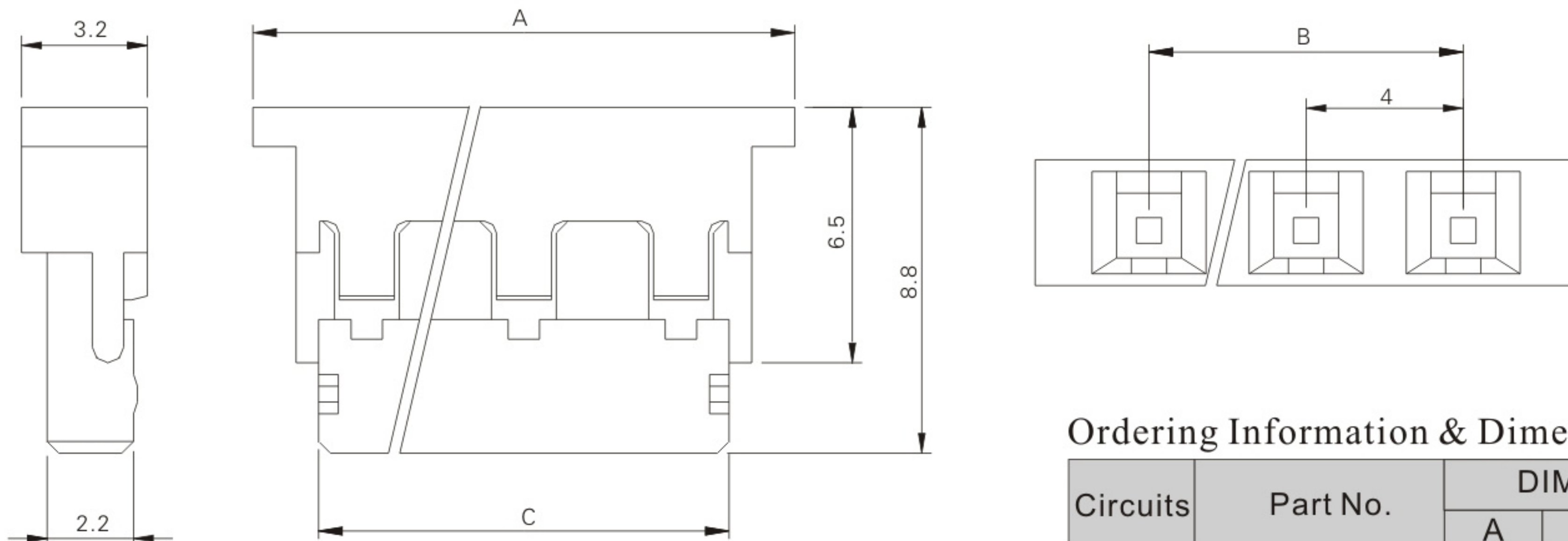
Unit: mm

Part No.	Wire Range	Insulation O.D.	Material	Finish	Qty/reel
4001P	AWG#22-#28	Φ 1.7mm max	Phosphor bronze	Tin-plated	5,000

4001H-NP (4.0mm pitch crimp housing)

Reference Informations:

- *Part No: 4001H
- *Mat'l: Nylon 66 UL94V-0
- *Mates With: 4001-T series Terminal
- *Accepts With: 4001PS series Wafer



Ordering Information & Dimensions

Circuits	Part No.	DIM.(mm)		
		A	B	C
02	4001H-02P	9.8	3.96	6.4
03	4001H-03P	13.8	7.92	10.4
04	4001H-04P	17.8	11.88	14.4

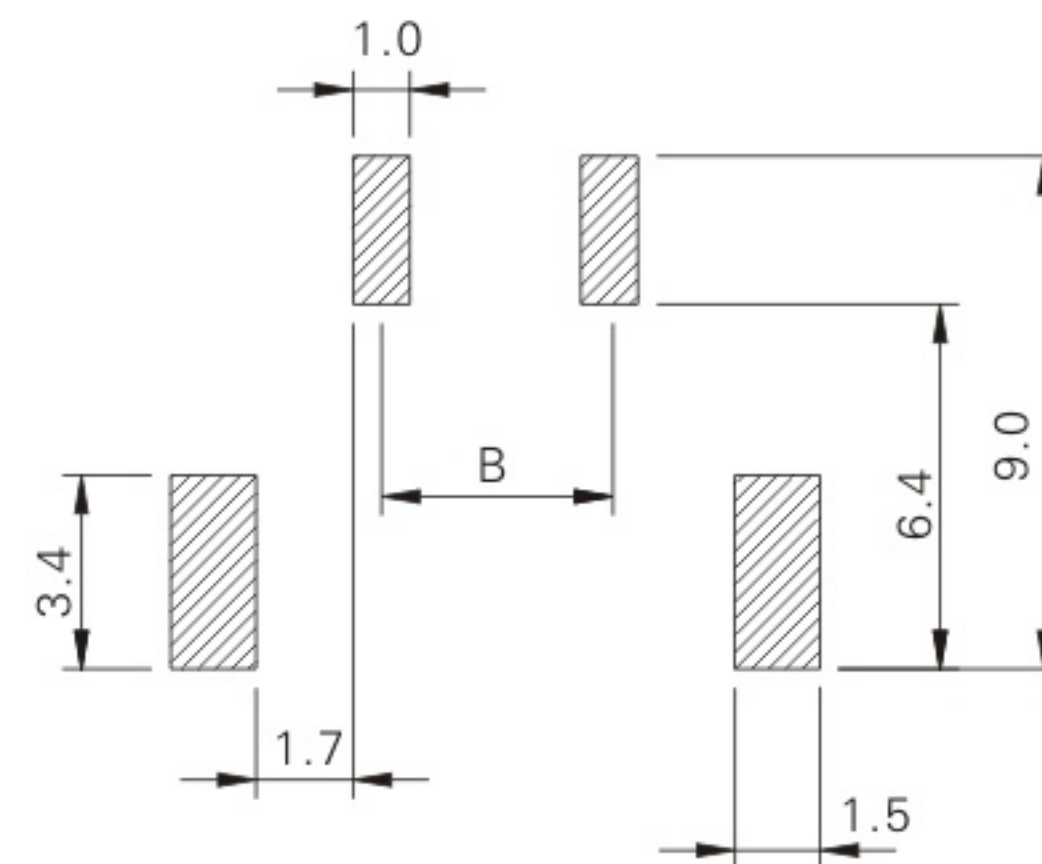
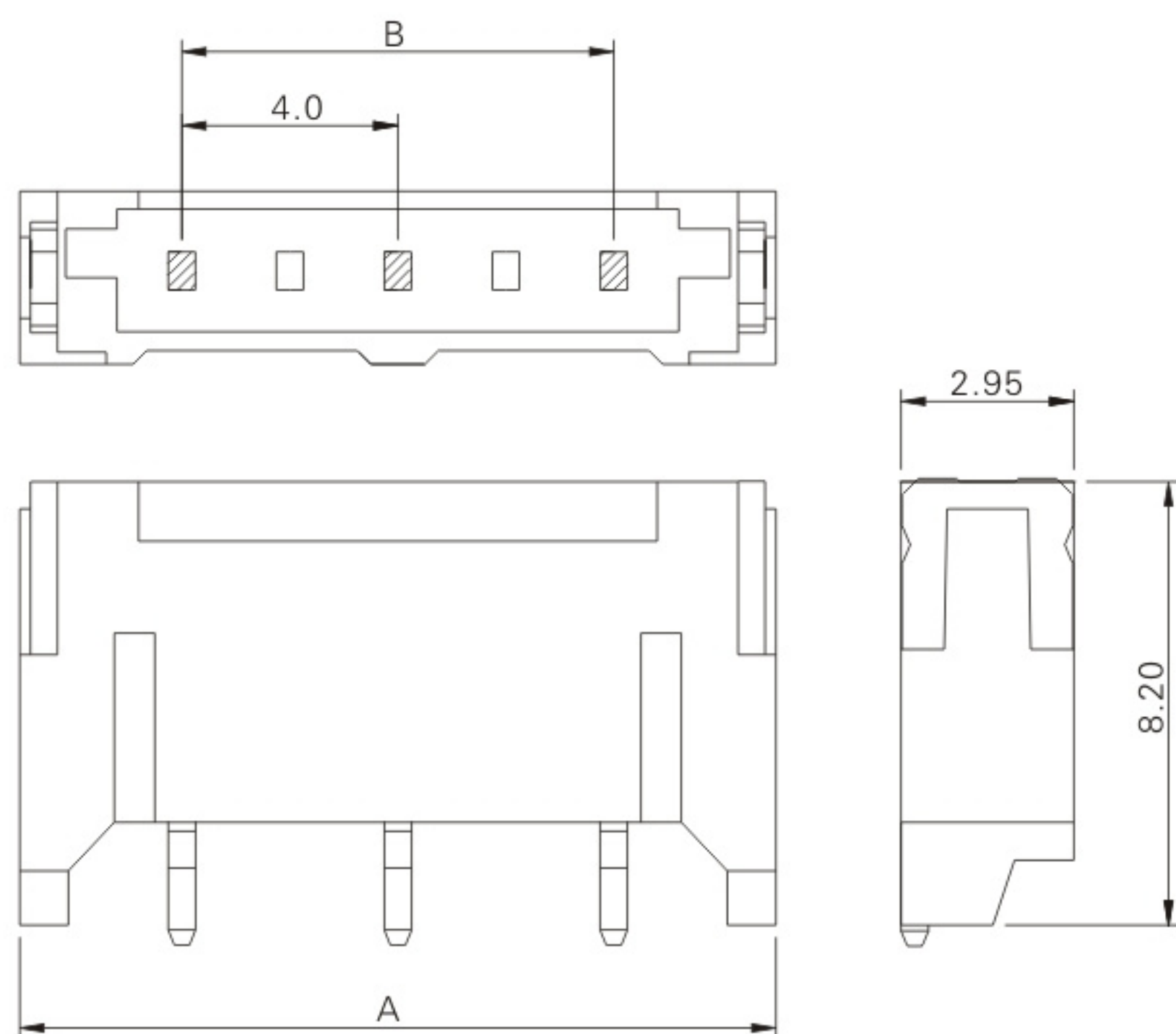
4001PS-NP (4.0mm pitch 90° wafer SMT-TYPE)

Reference Informations:

*Mat'l:nylon 66 UL94V-0

*Mates With: 4001-T series Terminal

*Accepts With: 4001H series Housing



Ordering Information & Dimensions

Circuits	Part No.	DIM.(mm)	
		A	B
02	4001PS-02P	10	4
03	4001PS-03P	14	8
04	4001PS-04P	18	12